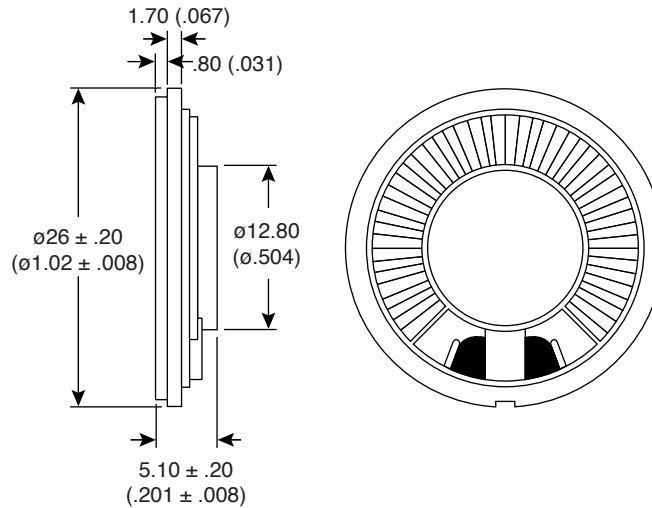
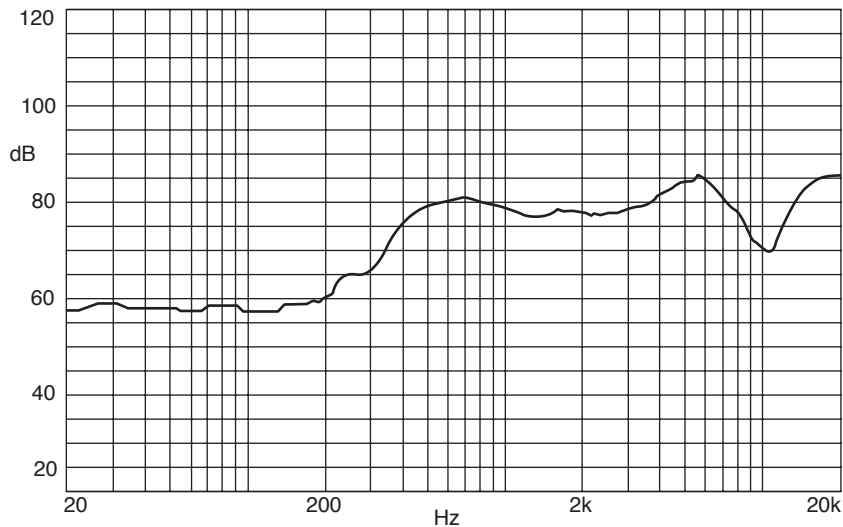


Part Number:

253-5262



Frequency Response



Speaker

KT-400237

Electrical Specifications:

- Impedance: $8 \Omega \pm 15\%$
- Rated power: 1.0 W
- Maximum power: 1.5 W
- Resonant frequency: $450 \pm 20\%$ Hz
- Frequency range: 300-20 KHz

Materials:

- Magnet: NdFeB

Available from Mouser Electronics

www.mouser.com

(800) 346-6873

Specifications are subject to change without notice. No liability or warranty implied by this information. Environmental compliance based on producer documentation.