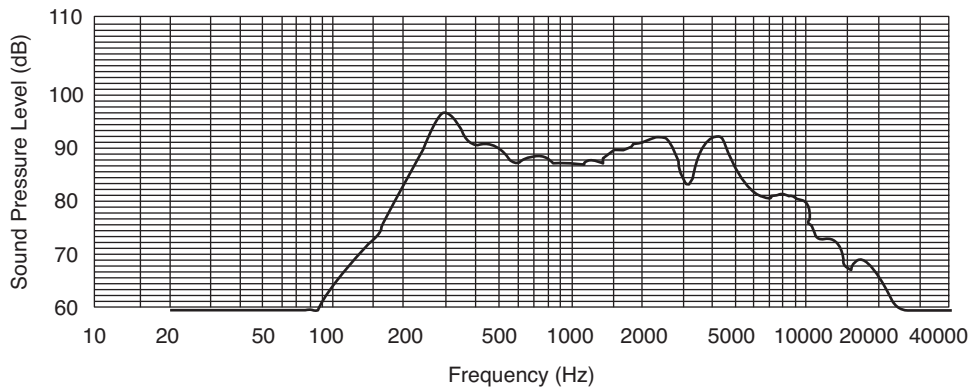
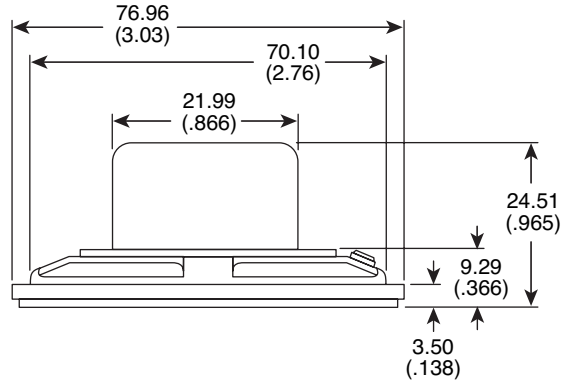
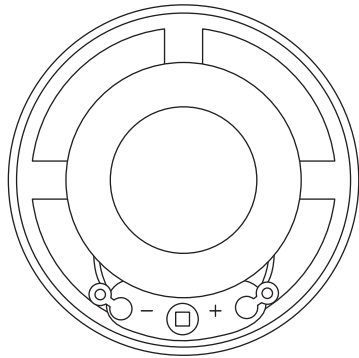


Part Number:

253-2030



Speaker

Electrical Specifications:

- Impedance: $8\Omega \pm 1.2\Omega$
- Resonant frequency: $280\text{Hz} \pm 54\text{Hz}$
- Frequency range: $280\text{Hz} \sim 5\text{KHz}$
- Rated power: 0.5W

Material:

- Magnet: Alnico

KT-400015