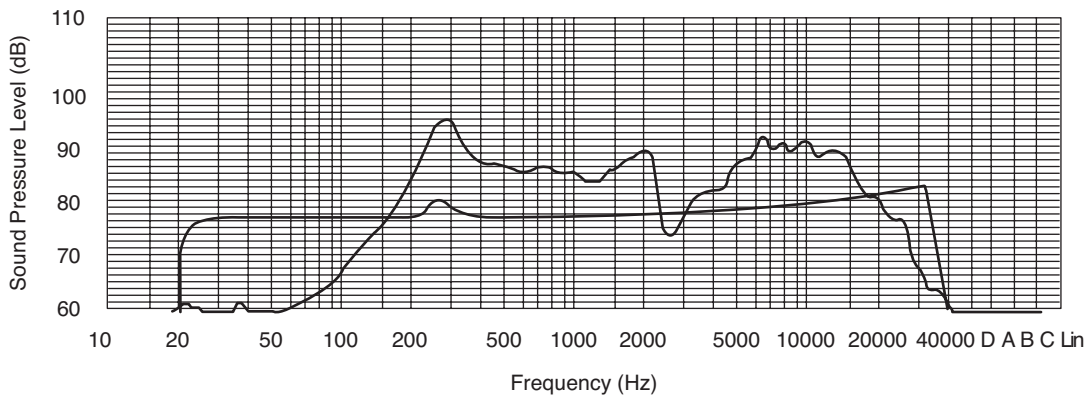
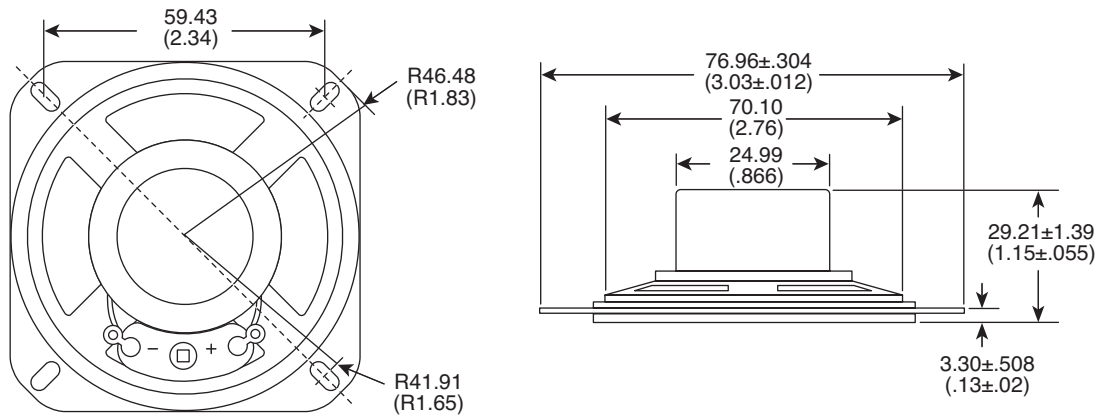


Part Number:

253-2032



Speaker

KT-400016

Electrical Specifications:

- Frequency Range: 220Hz ~ 10kHz
- Resonant Frequency: 220±44Hz
- Impedance: 40Ω ±2Ω
- Rated Power: 0.8W
- Maximum Power: 1.5W

Material:

- Magnet: Alnico