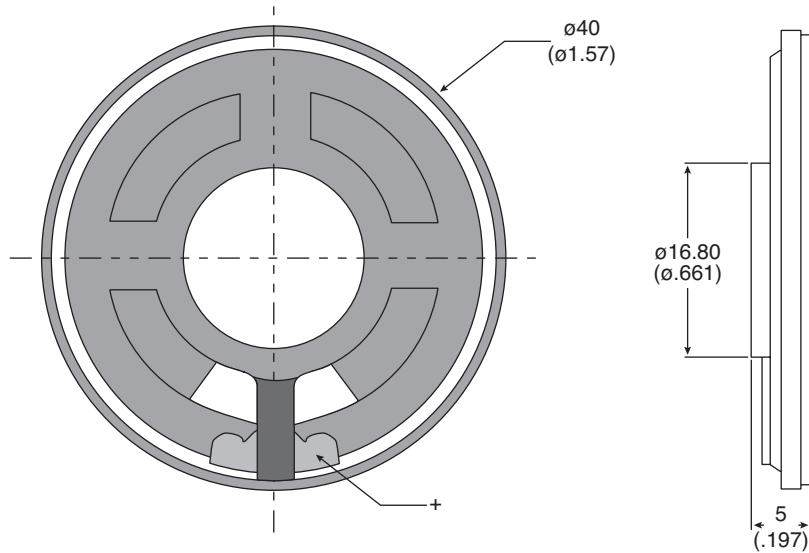
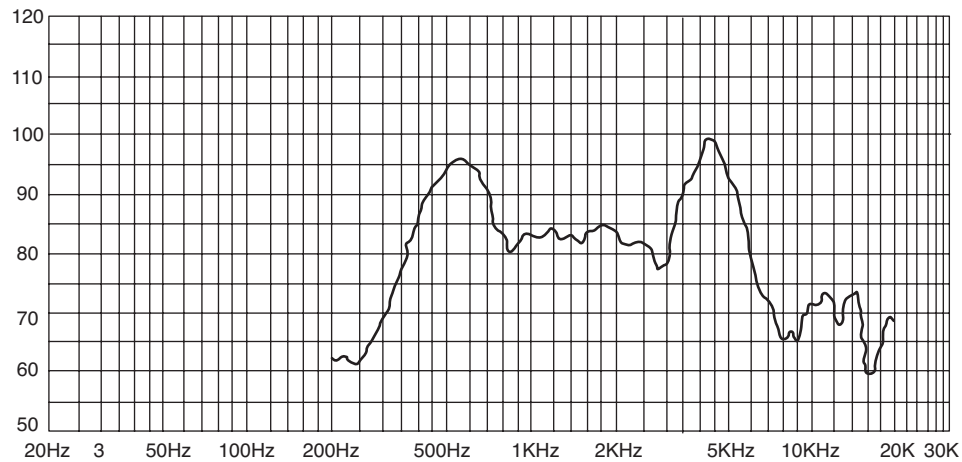


Part Number:

254-PS607



Speaker



KT-400171

Electrical Specifications:

- Nominal Impedance: 8Ω ±15% @ 1,000Hz
- Power Rating: Normal 500mW Maximum 1000mW
- Lowest Resonant Frequency: 550 ±150Hz.
- Output Sound Pressure Level (S.P.L.): 84 ±3dB / 0.5W 0.5 Meter.
(Secundum IEC-268-5 Status) Avg at 800 ~ 1500Hz.
- Frequency Range: 350 ~ 6,200Hz
- Distortion: 5% at 1,200Hz 500mW

Material:

- Magnet: Rare Earth
- Weight: 9.2g