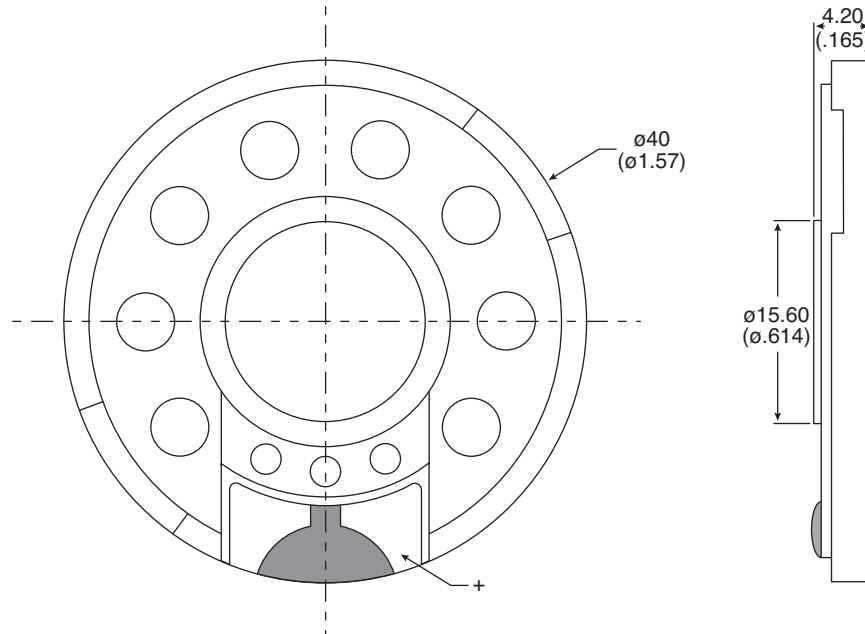
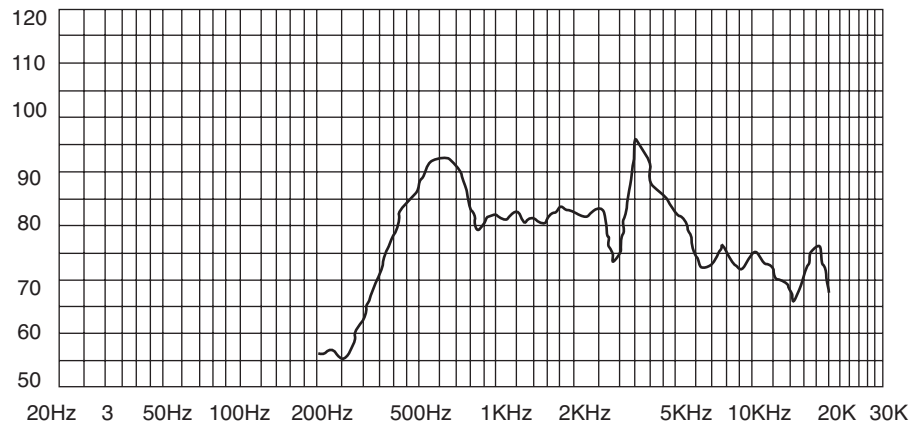


**Part Number:**

254-PS608



Speaker



KT-400172

**Electrical Specifications:**

- Nominal Impedance:  $8\Omega \pm 15\%$  @ 900Hz
- Power Rating: Normal 200mW Maximum 500mW
- Lowest Resonant Frequency:  $600 \pm 150$ Hz.
- Output Sound Pressure Level (S.P.L.):  $82 \pm 3$ dB / 0.2W 0.5 Meter.  
Avg at 1,000 ~ 2,000Hz.
- Frequency Range: 350 ~ 11,000Hz
- Distortion: 5% at 700Hz 200mW

**Material:**

- Magnet: Rare Earth
- Weight: 6.0g