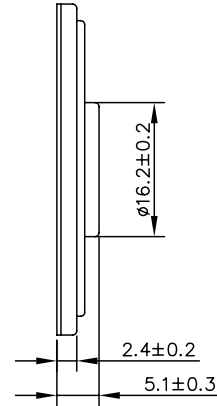
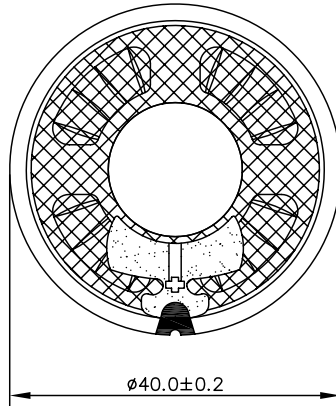


THIS DOCUMENT CONTAINS DATA PROPRIETARY TO PROJECTS UNLIMITED, INC. ANY USE OR REPRODUCTION, IN ANY FORM, WITHOUT PRIOR WRITTEN PERMISSION OF PROJECTS UNLIMITED, INC. IS PROHIBITED.
© 2003, Projects Unlimited Inc.

SPECIFICATIONS

PARAMETERS	VALUES	UNITS
RATED INPUT POWER	1	W
MAX INPUT POWER	1.5	W
IMPEDANCE	4±15%	OHM
OUTPUT SPL @ 1W/1M (AT 600, 800, 1,000, 1,200 Hz)	85±3	dB
DISTORTION	5%	-
RESONANT FREQUENCY	600±20%	Hz
FREQUENCY RANGE	600 ~ 5,500	Hz
HOUSING MATERIAL	METAL	-
CONE MATERIAL	MYLAR	-
MAGNET MATERIAL	N35	-
OPERATING TEMPERATURE	-20 ~ +50	°C
WEIGHT	9.1	grams




REVISIONS			
LTR	DESCRIPTION	DATE	APPROVED
-	RELEASED FROM ENGINEERING	4/1/04	
A	REVISED SPECIFICATIONS	4/7/04	R. W.
B	REVISED FREQ. SPEC. & IMPEDANCE	8/31/05	B. R.

NOTES:

1. ALL DIMENSIONS ARE IN MILLIMETERS.
2. SPECIFICATION SUBJECT TO CHANGE OR WITHDRAWAL WITHOUT NOTICE.

FILE NAME
AS04004MR.DWG

UNLESS OTHERWISE SPECIFIED: DIMENSIONS ARE IN MILLIMETERS. TOLERANCES ARE ±0.5 AND ANGLES ARE ±3°.		 projects® unlimited Dayton, Ohio							
<table border="1"> <thead> <tr> <th>APPROVALS</th> <th>DATE</th> </tr> </thead> <tbody> <tr> <td>DRAWN R.A.C.</td> <td>3/04</td> </tr> <tr> <td>APPROVED R.W.</td> <td>3/04</td> </tr> </tbody> </table>		APPROVALS	DATE	DRAWN R.A.C.	3/04	APPROVED R.W.	3/04	SPEAKER AS04004MR	
APPROVALS	DATE								
DRAWN R.A.C.	3/04								
APPROVED R.W.	3/04								
DO NOT SCALE DRAWING		SIZE A	DRAWING NO. AS04004MR						
		SCALE: N.T.S.	SHEET 1 OF 1						