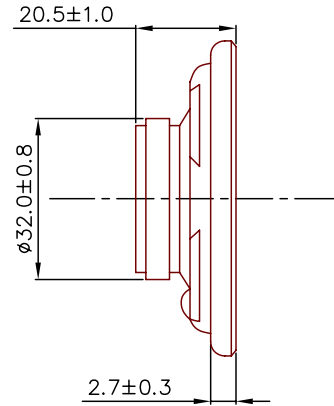
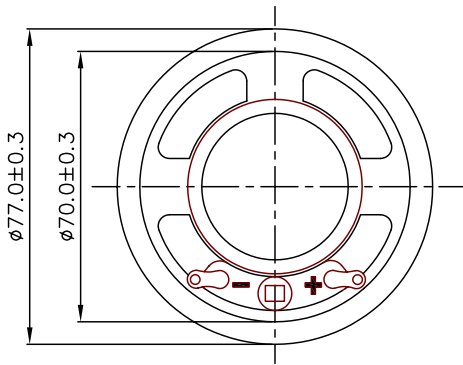


THIS DOCUMENT CONTAINS DATA PROPRIETARY TO PROJECTS UNLIMITED, INC. ANY USE OR REPRODUCTION, IN ANY FORM, WITHOUT PRIOR WRITTEN PERMISSION OF PROJECTS UNLIMITED, INC. IS PROHIBITED.  
© 2003, Projects Unlimited Inc.

SPECIFICATIONS

PARAMETERS	VALUES	UNITS
RATED INPUT POWER	0.5	W
MAX INPUT POWER	1.0	W
IMPEDANCE	8±15%	OHM
OUTPUT SPL @ 1W/0.5M (AT 0.8, 1.0, 1.2, 1.5 kHz)	88±3	dB
DISTORTION	5%	-
RESONANT FREQUENCY	200±20%	Hz
FREQUENCY RANGE	200 ~ 5,000	Hz
HOUSING MATERIAL	METAL	-
CONE MATERIAL	MYLAR	-
MAGNET MATERIAL	FERRITE	-
OPERATING TEMPERATURE	-20 ~ +60	°C
WEIGHT	55	grams


REVISIONS			
LTR	DESCRIPTION	DATE	APPROVED
-	RELEASED FROM ENGINEERING	12/17/02	
A	REVISED TO NEW TEMPLATE	4/15/04	R. W.
B	REVISED CONE MATERIAL	9/30/04	R. W.



NOTES:

1. ALL DIMENSIONS ARE IN MILLIMETERS.
2. SPECIFICATION SUBJECT TO CHANGE OR WITHDRAWAL WITHOUT NOTICE.

FILE NAME  
AS7708M-32.DWG

UNLESS OTHERWISE SPECIFIED: DIMENSIONS ARE IN MILLIMETERS. TOLERANCES ARE ±0.5 AND ANGLES ARE ±3°.		 <b>projects® unlimited</b> Dayton, Ohio							
<table border="1"> <thead> <tr> <th>APPROVALS</th> <th>DATE</th> </tr> </thead> <tbody> <tr> <td>DRAWN <i>B. W.</i></td> <td>12/02</td> </tr> <tr> <td>APPROVED <i>S. J.</i></td> <td>12/02</td> </tr> </tbody> </table>		APPROVALS	DATE	DRAWN <i>B. W.</i>	12/02	APPROVED <i>S. J.</i>	12/02	<b>DYNAMIC SPEAKER</b> AS7708M-32	
APPROVALS	DATE								
DRAWN <i>B. W.</i>	12/02								
APPROVED <i>S. J.</i>	12/02								
<table border="1"> <thead> <tr> <th>DO NOT SCALE DRAWING</th> <th>SCALE: N.T.S.</th> </tr> </thead> </table>		DO NOT SCALE DRAWING	SCALE: N.T.S.	SIZE A	DRAWING NO. AS7708M-32				
DO NOT SCALE DRAWING	SCALE: N.T.S.								
		SHEET 1 OF 1							