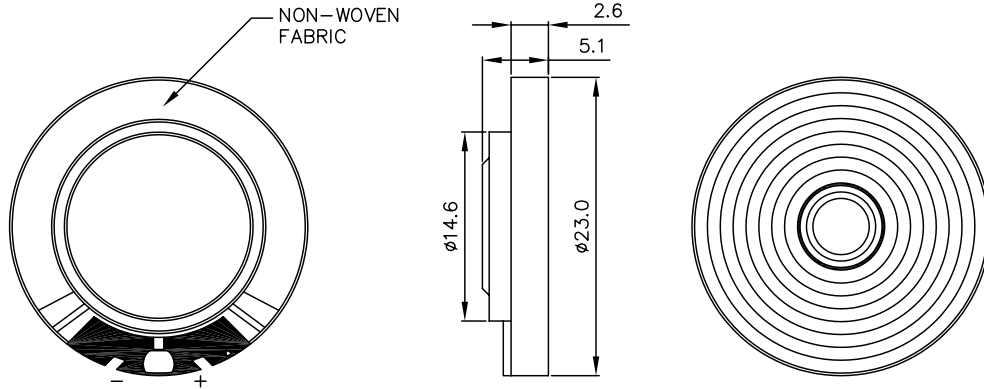


THIS DOCUMENT CONTAINS DATA PROPRIETARY TO PROJECTS UNLIMITED, INC. ANY USE OR REPRODUCTION, IN ANY FORM, WITHOUT PRIOR WRITTEN PERMISSION OF PROJECTS UNLIMITED, INC. IS PROHIBITED.
© 2003, Projects Unlimited Inc.

SPECIFICATIONS

PARAMETERS	VALUES	UNITS
RATED INPUT POWER	0.1	W
MAX INPUT POWER	0.2	W
IMPEDANCE	32±15%	OHM
OUTPUT SPL @ 0.1W/10 cm (AT 1.0, 1.2, 1.5, 2.0 kHz)	85±3	dB
DISTORTION	5%	-
RESONANT FREQUENCY	590±20%	Hz
FREQUENCY RANGE	590 ~ 7,000	Hz
HOUSING MATERIAL	ABS UL-94 HB	-
CONE MATERIAL	MYLAR	-
MAGNET MATERIAL	Nd-Fe-B	-
OPERATING TEMPERATURE	-20 ~ +55	°C
WEIGHT	2.5	grams


REVISIONS			
LTR	DESCRIPTION	DATE	APPROVED
-	RELEASED FROM ENGINEERING	11/20/03	
A	REVISED TO NEW TEMPLATE	4/14/04	R.W.



NOTES:

1. ALL DIMENSIONS ARE IN MILLIMETERS.
2. SPECIFICATION SUBJECT TO CHANGE OR WITHDRAWAL WITHOUT NOTICE.

FILE NAME
AS02332MR.DWG

UNLESS OTHERWISE SPECIFIED: DIMENSIONS ARE IN MILLIMETERS, TOLERANCES ARE ±0.5 AND ANGLES ARE ±3°.		 projects® unlimited Dayton, Ohio							
<table border="1"> <thead> <tr> <th>APPROVALS</th> <th>DATE</th> </tr> </thead> <tbody> <tr> <td>DRAWN <i>R.A.C.</i></td> <td>11/03</td> </tr> <tr> <td>APPROVED <i>E.P.</i></td> <td>4/04</td> </tr> </tbody> </table>		APPROVALS	DATE	DRAWN <i>R.A.C.</i>	11/03	APPROVED <i>E.P.</i>	4/04	<p>SPEAKER AS02332MR</p>	
APPROVALS	DATE								
DRAWN <i>R.A.C.</i>	11/03								
APPROVED <i>E.P.</i>	4/04								
<table border="1"> <thead> <tr> <th>SIZE</th> <th>DRAWING NO.</th> </tr> </thead> <tbody> <tr> <td>A</td> <td>AS02332MR</td> </tr> </tbody> </table>		SIZE	DRAWING NO.	A	AS02332MR				
SIZE	DRAWING NO.								
A	AS02332MR								
DO NOT SCALE DRAWING		SCALE: N.T.S.	SHEET 1 OF 1						