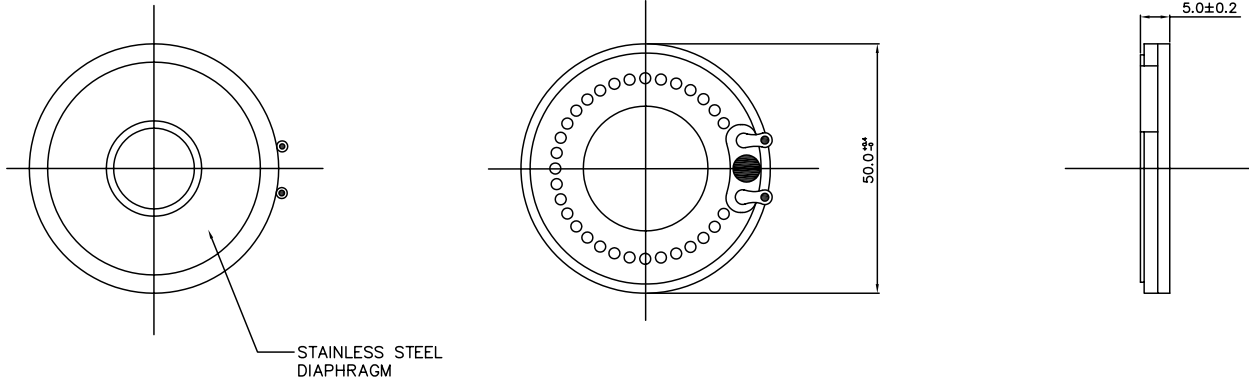


THIS DOCUMENT CONTAINS DATA PROPRIETARY TO PROJECTS UNLIMITED, INC. ANY USE OR REPRODUCTION, IN ANY FORM, WITHOUT PRIOR WRITTEN PERMISSION OF PROJECTS UNLIMITED, INC. IS PROHIBITED.
© 2003, Projects Unlimited Inc.

SPECIFICATIONS


PARAMETERS	VALUES	UNITS
RATED INPUT POWER	0.4	W
MAX INPUT POWER	0.8	W
IMPEDANCE	8±15%	OHM
OUTPUT SPL @ 0.4W/10 cm (AT 10 kHz)	70	dB
DISTORTION	10%	-
RESONANT FREQUENCY	900±200	Hz
FREQUENCY RANGE	900 ~ 4,000	Hz
HOUSING MATERIAL	ABS	-
CONE MATERIAL	STAINLESS STEEL	-
MAGNET MATERIAL	FERRITE	-
OPERATING TEMPERATURE	-20 ~ +55	°C
WEIGHT	11	grams

REVISIONS			
LTR	DESCRIPTION	DATE	APPROVED
-	RELEASED FROM ENGINEERING	5/8/02	
A	REVISED TO NEW TEMPLATE	2/10/04	R. W.



- NOTES:
1. ALL DIMENSIONS ARE IN MILLIMETERS.
 2. SPECIFICATION SUBJECT TO CHANGE OR WITHDRAWAL WITHOUT NOTICE.

FILE NAME
FS-50R-8-OHM.DWG

UNLESS OTHERWISE SPECIFIED: DIMENSIONS ARE IN MILLIMETERS. TOLERANCES ARE ±0.5 AND ANGLES ARE ±3°.		 projects® unlimited Dayton, Ohio							
<table border="1"> <thead> <tr> <th>APPROVALS</th> <th>DATE</th> </tr> </thead> <tbody> <tr> <td>DRAWN <i>RABL</i></td> <td>5/02</td> </tr> <tr> <td>APPROVED <i>S.J.</i></td> <td>5/02</td> </tr> </tbody> </table>		APPROVALS	DATE	DRAWN <i>RABL</i>	5/02	APPROVED <i>S.J.</i>	5/02	DYNAMIC SPEAKER FS-50R-8-OHM	
APPROVALS	DATE								
DRAWN <i>RABL</i>	5/02								
APPROVED <i>S.J.</i>	5/02								
SIZE A		DRAWING NO. FS-50R-8-OHM							
DO NOT SCALE DRAWING		SCALE: N.T.S.	SHEET 1 OF 1						