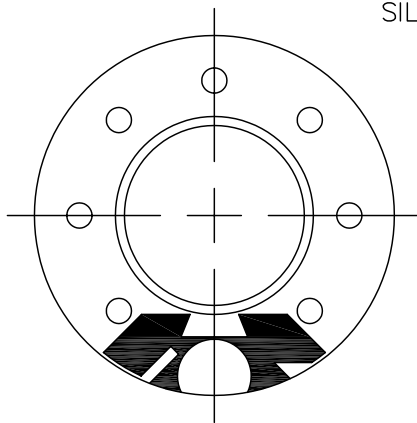


THIS DOCUMENT CONTAINS DATA PROPRIETARY TO PROJECTS UNLIMITED, INC. ANY USE OR REPRODUCTION, IN ANY FORM, WITHOUT PRIOR WRITTEN PERMISSION OF PROJECTS UNLIMITED, INC. IS PROHIBITED.
© 2003, Projects Unlimited Inc.

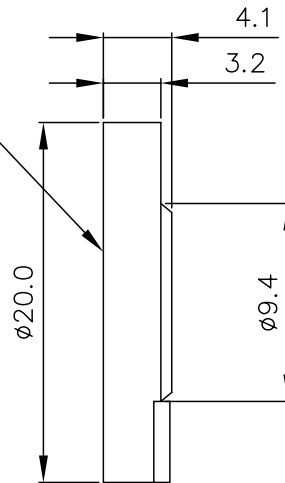
SPECIFICATIONS

PARAMETERS	VALUES	UNITS
RATED INPUT POWER	0.08	W
MAX INPUT POWER	0.15	W
IMPEDANCE	32±15%	OHM
OUTPUT SPL @ 0.08W/10 cm (AT 1.0, 1.2, 1.5, 2.0 kHz)	86±3	dB
DISTORTION	5%	-
RESONANT FREQUENCY	840±20%	Hz
FREQUENCY RANGE	840 ~ 4,500	Hz
HOUSING MATERIAL	ABS UL-94 1/16" HB	-
CONE MATERIAL	MYLAR	-
MAGNET MATERIAL	Nd-Fe-B	-
OPERATING TEMPERATURE	-20 ~ +55	°C
WEIGHT	1.6	grams

REVISIONS			
LTR	DESCRIPTION	DATE	APPROVED
-	RELEASED FROM ENGINEERING	11/10/03	
A	REVISED TO NEW TEMPLATE	4/14/04	R.W.
B	ADDED SILVER NOTE	9/23/05	B.R.




SILVER



NOTES:

1. ALL DIMENSIONS ARE IN MILLIMETERS.
2. SPECIFICATION SUBJECT TO CHANGE OR WITHDRAWAL WITHOUT NOTICE.

FILE NAME
AS02032MR.DWG

UNLESS OTHERWISE SPECIFIED: DIMENSIONS ARE IN MILLIMETERS. TOLERANCES ARE ±0.5 AND ANGLES ARE ±3°.		 projects® unlimited Dayton, Ohio							
<table border="1"> <thead> <tr> <th>APPROVALS</th> <th>DATE</th> </tr> </thead> <tbody> <tr> <td>DRAWN <i>R.A.C.</i></td> <td>11/03</td> </tr> <tr> <td>APPROVED <i>E.P.</i></td> <td>11/03</td> </tr> </tbody> </table>		APPROVALS	DATE	DRAWN <i>R.A.C.</i>	11/03	APPROVED <i>E.P.</i>	11/03	SPEAKER AS02032MR	
APPROVALS	DATE								
DRAWN <i>R.A.C.</i>	11/03								
APPROVED <i>E.P.</i>	11/03								
DO NOT SCALE DRAWING		SIZE A	DRAWING NO. AS02032MR						
		SCALE: N.T.S.	SHEET 1 OF 1						