

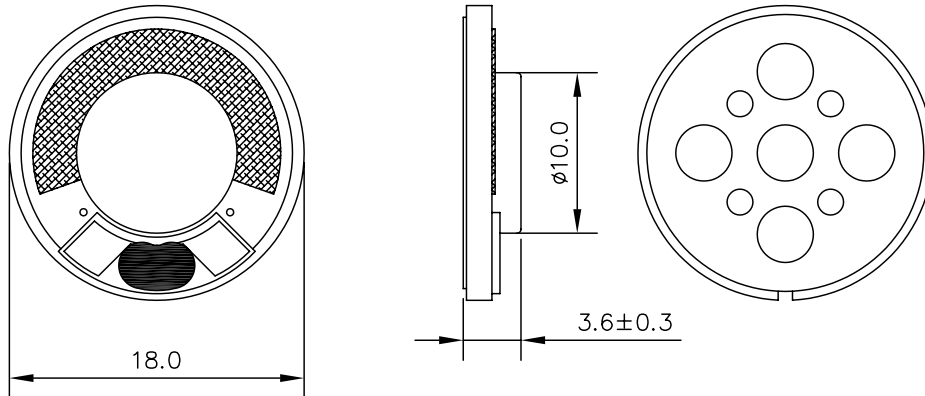
THIS DOCUMENT CONTAINS DATA PROPRIETARY TO PROJECTS UNLIMITED, INC. ANY USE OR REPRODUCTION, IN ANY FORM, WITHOUT PRIOR WRITTEN PERMISSION OF PROJECTS UNLIMITED, INC. IS PROHIBITED.
© 2003, Projects Unlimited Inc.

SPECIFICATIONS

PARAMETERS	VALUES	UNITS
RATED INPUT POWER	0.25	W
MAX INPUT POWER	0.5	W
IMPEDANCE	32±15%	OHM
OUTPUT SPL @ 0.1W/0.1M (AT 1.0, 1.2, 1.5, 2.0 kHz)	88±3	dB
DISTORTION	5%	-
RESONANT FREQUENCY	700±20%	Hz
FREQUENCY RANGE	700 ~ 5,500	Hz
HOUSING MATERIAL	METAL	-
CONE MATERIAL	MYLAR	-
MAGNET MATERIAL	Nd-Fe-B	-
OPERATING TEMPERATURE	-25 ~ +50	°C
WEIGHT	1.9	grams

REVISIONS


LTR	DESCRIPTION	DATE	APPROVED
-	RELEASED FROM ENGINEERING	4/7/04	



NOTES:

1. ALL DIMENSIONS ARE IN MILLIMETERS.
2. SPECIFICATION SUBJECT TO CHANGE OR WITHDRAWAL WITHOUT NOTICE.

FILE NAME
AS01832MR-S.DWG

UNLESS OTHERWISE SPECIFIED: DIMENSIONS ARE IN MILLIMETERS, TOLERANCES ARE ±0.5 AND ANGLES ARE ±3°.		 projects® unlimited Dayton, Ohio	
APPROVALS DRAWN <i>R.A.C.</i> 4/04 APPROVED <i>R.W.</i> 4/04		SPEAKER AS01832MR-S	
SIZE A		DRAWING NO. AS01832MR-S	
DO NOT SCALE DRAWING		SCALE: N.T.S.	SHEET 1 OF 1