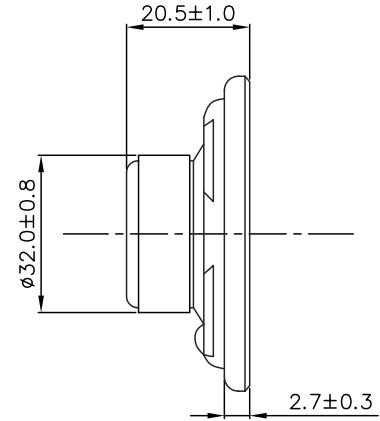
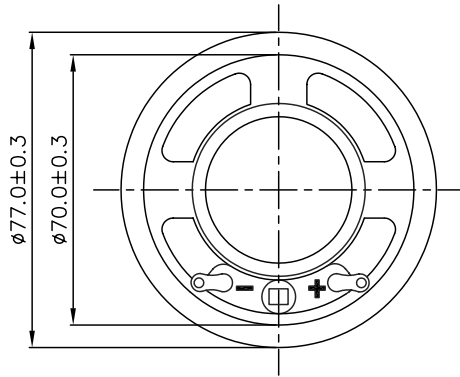


THIS DOCUMENT CONTAINS DATA PROPRIETARY TO PROJECTS UNLIMITED, INC. ANY USE OR REPRODUCTION, IN ANY FORM, WITHOUT PRIOR WRITTEN PERMISSION OF PROJECTS UNLIMITED, INC. IS PROHIBITED.
© 2003, Projects Unlimited Inc.

SPECIFICATIONS

PARAMETERS	VALUES	UNITS
RATED INPUT POWER	0.5	W
MAX INPUT POWER	1.0	W
IMPEDANCE	8±15%	OHM
OUTPUT SPL @ 1W/0.5M (AT 0.8, 1.0, 1.2, 1.5 kHz)	88±3	dB
DISTORTION	5%	-
RESONANT FREQUENCY	200±70	Hz
FREQUENCY RANGE	200 ~ 5,000	Hz
HOUSING MATERIAL	METAL	-
CONE MATERIAL	PAPER	-
MAGNET MATERIAL	FERRITE	-
OPERATING TEMPERATURE	-20 ~ +60	°C
WEIGHT	50	grams




REVISIONS

LTR	DESCRIPTION	DATE	APPROVED
-	RELEASED FROM ENGINEERING	4/15/04	

NOTES:

1. ALL DIMENSIONS ARE IN MILLIMETERS.
2. SPECIFICATION SUBJECT TO CHANGE OR WITHDRAWAL WITHOUT NOTICE.

FILE NAME
AS7708-32.DWG

UNLESS OTHERWISE SPECIFIED: DIMENSIONS ARE IN MILLIMETERS, TOLERANCES ARE ±0.5 AND ANGLES ARE ±3°.		 projects® unlimited Dayton, Ohio							
<table border="1"> <thead> <tr> <th>APPROVALS</th> <th>DATE</th> </tr> </thead> <tbody> <tr> <td>DRAWN <i>R.A.C.</i></td> <td>2/04</td> </tr> <tr> <td>APPROVED <i>R.W.</i></td> <td>4/04</td> </tr> </tbody> </table>		APPROVALS	DATE	DRAWN <i>R.A.C.</i>	2/04	APPROVED <i>R.W.</i>	4/04	DYNAMIC SPEAKER AS7708-32	
APPROVALS	DATE								
DRAWN <i>R.A.C.</i>	2/04								
APPROVED <i>R.W.</i>	4/04								
SIZE A	DRAWING NO. AS7708-32								
DO NOT SCALE DRAWING		SCALE: N.T.S.	SHEET 1 OF 1						