

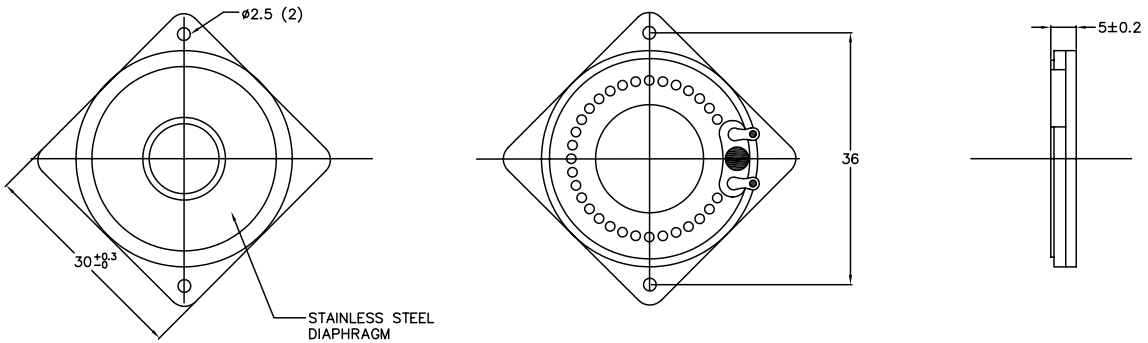
THIS DOCUMENT CONTAINS DATA PROPRIETARY TO PROJECTS UNLIMITED, INC. ANY USE OR REPRODUCTION, IN ANY FORM, WITHOUT PRIOR WRITTEN PERMISSION OF PROJECTS UNLIMITED, INC. IS PROHIBITED.  
© 2003, Projects Unlimited Inc.

SPECIFICATIONS

PARAMETERS	VALUES	UNITS
RATED INPUT POWER	0.4	W
MAX INPUT POWER	0.8	W
IMPEDANCE	8±15%	OHM
OUTPUT SPL @ 0.4W/10 cm (AT 10 kHz)	70	dB
DISTORTION	10%	-
RESONANT FREQUENCY	1,800±200	Hz
FREQUENCY RANGE	1,800 ~ 10,000	Hz
HOUSING MATERIAL	ABS	-
CONE MATERIAL	STAINLESS STEEL	-
MAGNET MATERIAL	FERRITE	-
OPERATING TEMPERATURE	-20 ~ +55	°C
WEIGHT	7	grams

REVISIONS

LTR	DESCRIPTION	DATE	APPROVED
-	RELEASED FROM ENGINEERING	5/8/02	
A	REVISED TO NEW TEMPLATE	4/15/04	R. W.
B	REVISED HOLE SPACE DIMENSIONS	8/17/04	R. W.



NOTES:

1. ALL DIMENSIONS ARE IN MILLIMETERS.
2. SPECIFICATION SUBJECT TO CHANGE OR WITHDRAWAL WITHOUT NOTICE.

UNLESS OTHERWISE SPECIFIED: DIMENSIONS ARE IN MILLIMETERS. TOLERANCES ARE ±0.5 AND ANGLES ARE ±3°.

APPROVALS	DATE
DRAWN <i>RABL</i>	5/02
APPROVED <i>S.J.</i>	5/02

DO NOT SCALE DRAWING



projects® unlimited

Dayton, Ohio

DYNAMIC SPEAKER  
FS-30S-8-OHM

SIZE  
A

DRAWING NO.  
FS-30S-8-OHM

SCALE: N.T.S.

SHEET 1 OF 1

FILE NAME  
FS-30S-8-OHM.DWG