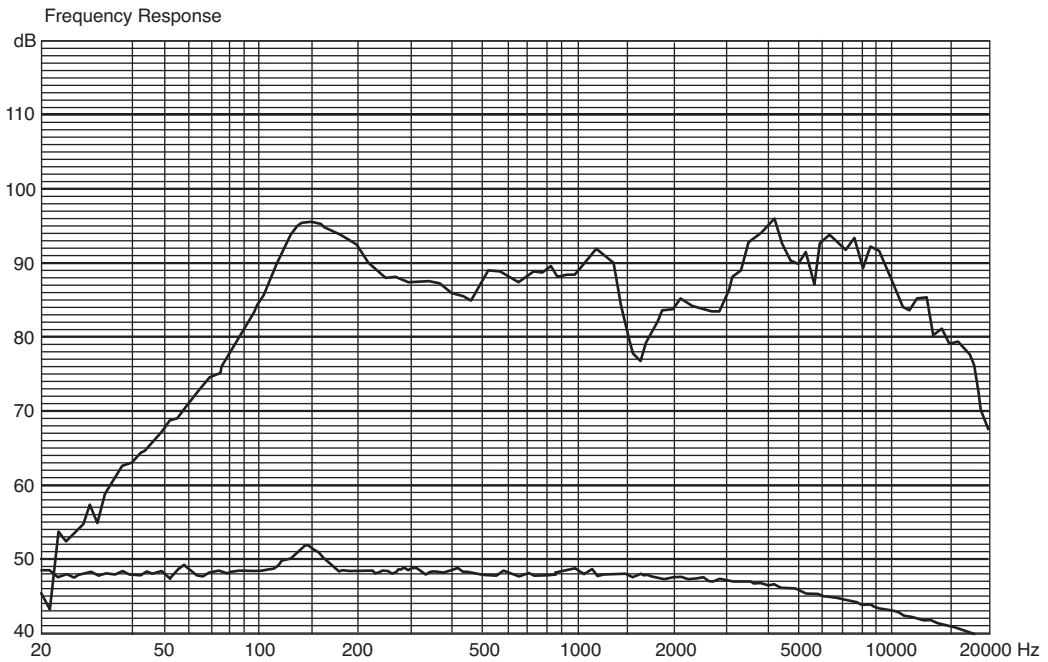
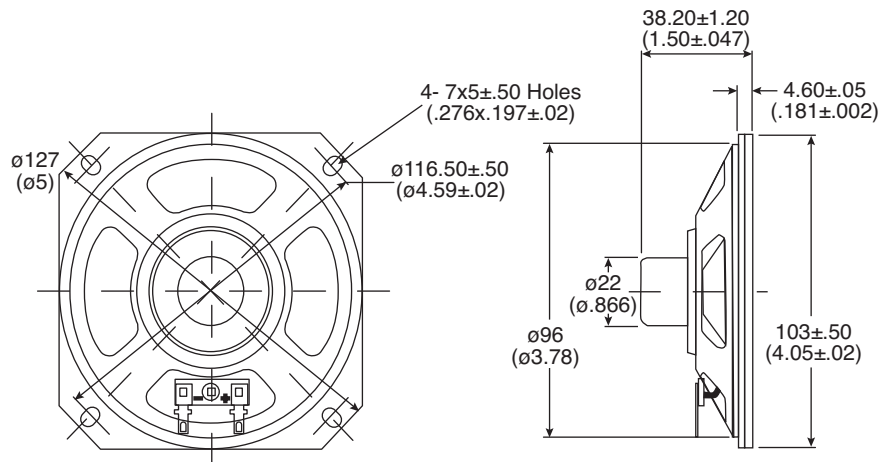
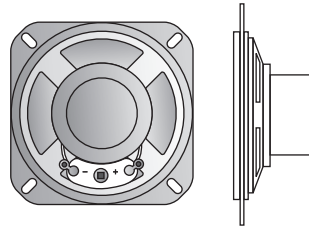


Part Number:

253-2044-RO



Speaker

KT-400516

Electrical Specifications:

- Power Rating: 2W nom. input; 4W peak
- Voice Coil: 4Ω ±0.6Ω @ 500Hz 1V
- Resonance Frequency: 160Hz±32Hz
- S.P.L.: 86dB/W/m±2dB
- Response: FO~12K
- Distortion: 5% max.

Note:

- RoHS Compliant