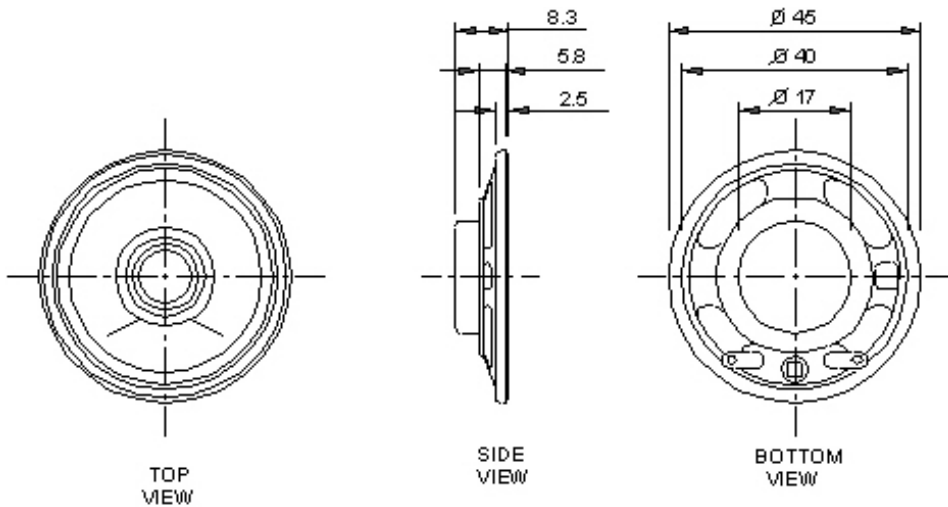



REVISIONS			
LTR	DESCRIPTION	DATE	APPROVED
	RELEASED FROM ENGINEERING	04/17/01	



NOTES:

1. ALL DIMENSIONS ARE IN MILLIMETERS.
2. SPECIFICATION SUBJECT TO CHANGE OR WITHDRAWAL WITHOUT NOTICE.

UNLESS OTHERWISE SPECIFIED, DIMENSIONS ARE IN MILLIMETERS TOLERANCES ARE: FRACTIONS DECIMALS ANGLES $\pm$ .X.X $\pm$ 0.2 $\pm$ XX.X $\pm$ —		 projects <sup>®</sup> unlimited Dayton, Ohio	
APPROVALS		DATE	
DRAWN <i>RABL</i>		4/01	
CHECKED			
APPROVED <i>SJ</i>		04/17/01	
DO NOT SCALE DRAWING		SIZE A	MATERIAL
DRAWING NAME AT-45008M.DWG		DRAWING NO. AT-45008M.DWG	
		SCALE 1/1	MAX. WT.
		SHEET 1 OF 1	

DRAWING NAME  
AT-45008M.DWG