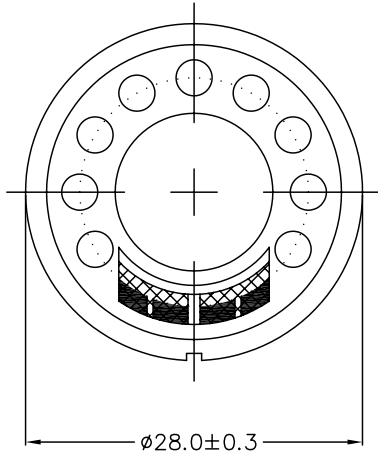


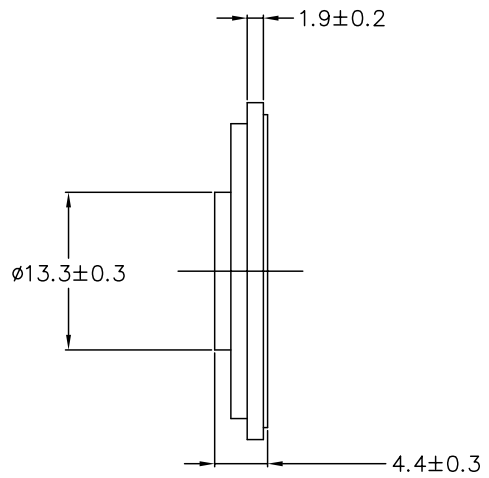
THIS DOCUMENT CONTAINS DATA PROPRIETARY TO PROJECTS UNLIMITED, INC. ANY USE OR REPRODUCTION, IN ANY FORM, WITHOUT PRIOR WRITTEN PERMISSION OF PROJECTS UNLIMITED, INC. IS PROHIBITED.  
© 2003, Projects Unlimited Inc.

SPECIFICATIONS

| PARAMETERS  | VALUES      | UNITS |
|---|-------------|-------|
| RATED INPUT POWER                                     | 0.25        | W     |
| MAX INPUT POWER                                       | 0.5         | W     |
| IMPEDANCE   | 32±15%      | OHM   |
| OUTPUT SPL @ 0.1W/0.1M<br>(AT 0.8, 1.0, 1.2, 1.5 kHz) | 91±3        | dB    |
| DISTORTION  | 5%          | -     |
| RESONANT FREQUENCY                                    | 600±25%     | Hz    |
| FREQUENCY RANGE                                       | 600 ~ 6,500 | Hz    |
| HOUSING MATERIAL                                      | METAL       | -     |
| CONE MATERIAL   | MYLAR       | -     |
| MAGNET MATERIAL                                       | Nd-Fe-B     | -     |
| OPERATING TEMPERATURE                                 | -20 ~ +60   | °C    |
| WEIGHT  | 4.5         | grams |




| REVISIONS |                           |          |          |
|-----------|---------------------------|----------|----------|
| LTR       | DESCRIPTION               | DATE     | APPROVED |
| -         | RELEASED FROM ENGINEERING | 6/3/03   |          |
| A         | REVISED TO NEW TEMPLATE   | 4/14/04  | R. W.    |
| B         | REVISED DIM. 13.1 TO 13.3 | 10/18/05 | B. R.    |



NOTES:

1. ALL DIMENSIONS ARE IN MILLIMETERS.
2. SPECIFICATION SUBJECT TO CHANGE OR WITHDRAWAL WITHOUT NOTICE.

FILE NAME  
AS2832M-32.DWG

| UNLESS OTHERWISE SPECIFIED:<br>DIMENSIONS ARE IN MILLIMETERS. TOLERANCES ARE ±0.5 AND ANGLES ARE ±3°.   |                           |  <b>projects® unlimited</b><br>Dayton, Ohio |              |                |      |                |      |                               |  |
|---|---------------------------|--|--------------|----------------|------|----------------|------|-------------------------------|--|
| <table border="1"> <thead> <tr> <th>APPROVALS</th> <th>DATE</th> </tr> </thead> <tbody> <tr> <td>DRAWN T. P. I.</td> <td>6/03</td> </tr> <tr> <td>APPROVED S. J.</td> <td>6/03</td> </tr> </tbody> </table> |                           | APPROVALS  | DATE         | DRAWN T. P. I. | 6/03 | APPROVED S. J. | 6/03 | DYNAMIC SPEAKER<br>AS2832M-32 |  |
| APPROVALS   | DATE                      |  |              |                |      |                |      |                               |  |
| DRAWN T. P. I.  | 6/03                      |  |              |                |      |                |      |                               |  |
| APPROVED S. J.  | 6/03                      |  |              |                |      |                |      |                               |  |
| SIZE<br>A   | DRAWING NO.<br>AS2832M-32 |  |              |                |      |                |      |                               |  |
| DO NOT SCALE DRAWING  |                           | SCALE: N.T.S.  | SHEET 1 OF 1 |                |      |                |      |                               |  |