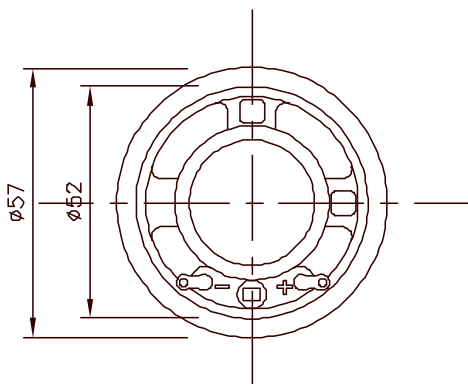


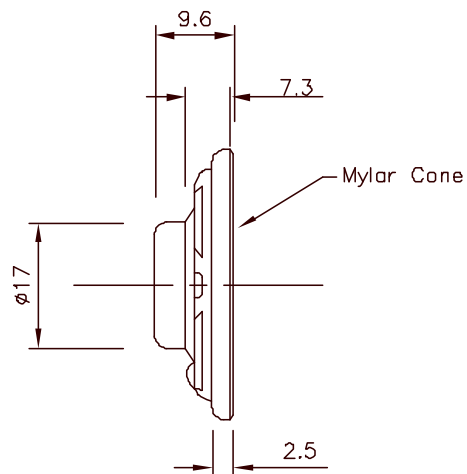
THIS DOCUMENT CONTAINS DATA PROPRIETARY TO PROJECTS UNLIMITED, INC. ANY REPRODUCTION, IN ANY FORM, WITHOUT PRIOR WRITTEN PERMISSION OF PROJECTS UNLIMITED, INC IS PROHIBITED.

SPECIFICATIONS

PARAMETERS	VALUES	UNITS
Rated Input Power	0.1	W
Maximum Input Power	0.2	W
Impedance (1 kHz / 1V)	8 ± 15%	Ohm
Output Sound Pressure Level @ 50 cm (At 0.8, 1.0, 1.2 and 1.5 kHz average, 0.2 W)	82 ± 3	dB
Resonant Frequency	400 ± 20%	Hz
Frequency Range	400 ~ 6700	Hz
Operating Temperature Range	-20 ~ +60	°C
Storage Temperature Range	-30 ~ +70	°C
Housing Material	Metal	
Weight	15	g



REVISIONS			
LTR	DESCRIPTION	DATE	APPROVED
-	RELEASED FROM ENGINEERING	5/7/02	



NOTES:

1. ALL DIMENSIONS ARE IN MILLIMETERS.
2. SPECIFICATION SUBJECT TO CHANGE OR WITHDRAWAL WITHOUT NOTICE.

FILE NAME
AT-57008M.DWG

UNLESS OTHERWISE SPECIFIED
DIMENSIONS ARE IN MILLIMETERS
TOLERANCES ARE:
FRACTIONS DECIMALS ANGLES
± .XX ± 0.3 ± °

APPROVALS	DATE
DRAWN <i>RABL</i>	5/02
CHECKED	
APPROVED <i>S.J.</i>	5/7/02
DO NOT SCALE DRAWING	

projects[®] unlimited Dayton, Ohio

DYNAMIC SPEAKER
AT-57008M

SIZE A	MATERIAL	DRAWING NO. AT-57008M
SCALE N/A	MAX. WT.	SHEET 1 of 1