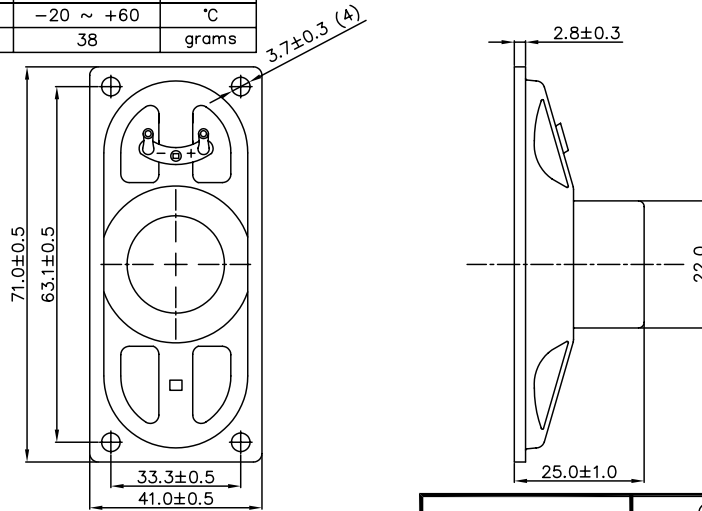


THIS DOCUMENT CONTAINS DATA PROPRIETARY TO PROJECTS UNLIMITED, INC. ANY USE OR REPRODUCTION, IN ANY FORM, WITHOUT PRIOR WRITTEN PERMISSION OF PROJECTS UNLIMITED, INC. IS PROHIBITED.
© 2003, Projects Unlimited Inc.

SPECIFICATIONS

PARAMETERS	VALUES	UNITS
RATED INPUT POWER	3	W
MAX INPUT POWER	5	W
IMPEDANCE	4±15%	OHM
OUTPUT SPL @ 1W/0.5M (AT 0.8, 1.0, 1.2, 1.5 kHz)	86±3	dB
DISTORTION	5%	-
RESONANT FREQUENCY	250±70	Hz
FREQUENCY RANGE	100 ~ 20,000	Hz
HOUSING MATERIAL	METAL	-
CONE MATERIAL	PAPER	-
MAGNET MATERIAL	ALNICO	-
OPERATING TEMPERATURE	-20 ~ +60	°C
WEIGHT	38	grams


REVISIONS			
LTR	DESCRIPTION	DATE	APPROVED
-	RELEASED FROM ENGINEERING	10/28/03	
A	REVISED TO NEW TEMPLATE	4/15/04	R.W.



NOTES:

1. ALL DIMENSIONS ARE IN MILLIMETERS.
2. SPECIFICATION SUBJECT TO CHANGE OR WITHDRAWAL WITHOUT NOTICE.

FILE NAME
AS07104P0.DWG

UNLESS OTHERWISE SPECIFIED: DIMENSIONS ARE IN MILLIMETERS, TOLERANCES ARE ±0.5 AND ANGLES ARE ±3°.		 projects® unlimited Dayton, Ohio							
<table border="1"> <thead> <tr> <th>APPROVALS</th> <th>DATE</th> </tr> </thead> <tbody> <tr> <td>DRAWN <i>R.A.C.</i></td> <td>10/03</td> </tr> <tr> <td>APPROVED <i>R.W.</i></td> <td>10/03</td> </tr> </tbody> </table>		APPROVALS	DATE	DRAWN <i>R.A.C.</i>	10/03	APPROVED <i>R.W.</i>	10/03	DYNAMIC SPEAKER AS07104P0	
APPROVALS	DATE								
DRAWN <i>R.A.C.</i>	10/03								
APPROVED <i>R.W.</i>	10/03								
<table border="1"> <thead> <tr> <th>DO NOT SCALE DRAWING</th> <th>SCALE: N.T.S.</th> </tr> </thead> </table>		DO NOT SCALE DRAWING	SCALE: N.T.S.	SIZE A	DRAWING NO. AS07104P0				
DO NOT SCALE DRAWING	SCALE: N.T.S.								
		SHEET 1 OF 1							