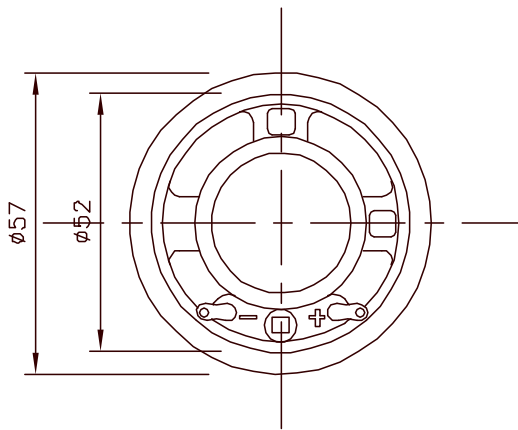
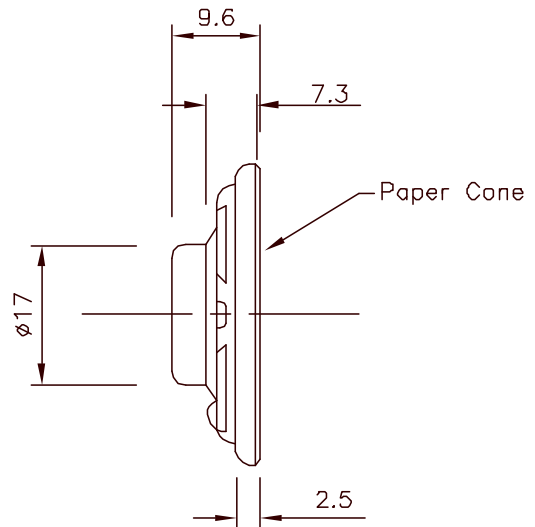


SPECIFICATIONS

PARAMETERS	VALUES	UNITS
Rated Input Power	0.1	W
Maximum Input Power	0.2	W
Impedance (1 kHz / 1V)	8 ± 15%	Ohm
Output Sound Pressure Level @ 50 cm (At 0.8, 1.0, 1.2 and 1.5 kHz average, 0.2 W)	82 ± 3	dB
Resonant Frequency	400 ± 20%	Hz
Frequency Range	400 ~ 4000	Hz
Operating Temperature Range	-20 ~ +60	°C
Storage Temperature Range	-30 ~ +70	°C
Housing Material	Metal	
Weight	15	g



REVISIONS			
LTR	DESCRIPTION	DATE	APPROVED
-	RELEASED FROM ENGINEERING	05/08/02	



NOTES:

1. ALL DIMENSIONS ARE IN MILLIMETERS.
2. SPECIFICATION SUBJECT TO CHANGE OR WITHDRAWAL WITHOUT NOTICE.

DRAWING NAME
AT57008

UNLESS OTHERWISE SPECIFIED DIMENSIONS ARE IN MILLIMETERS	
TOLERANCES ARE:	
FRACTIONS	DECIMALS
± .XX ± 0.3	±
.XXX ±	
APPROVALS	DATE
DRAWN <i>RABL</i>	05/02
CHECKED	
APPROVED <i>S. J.</i>	05/08/02
DO NOT SCALE DRAWING	



DYNAMIC SPEAKER
AT-57008

SIZE	MATERIAL	DRAWING NO.
A		AT57008.DWG
SCALE	N/A	MAX. WT.
		SHEET 1 OF 1