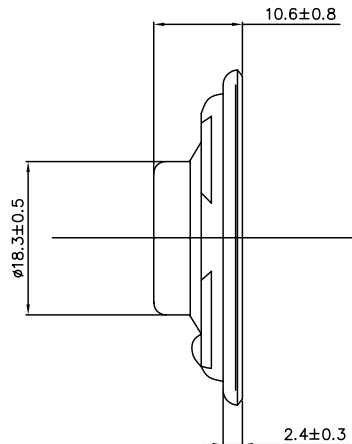
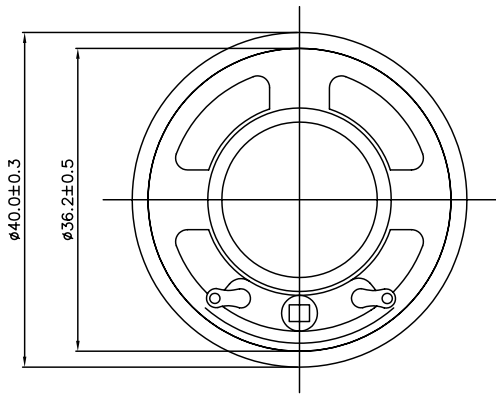


THIS DOCUMENT CONTAINS DATA PROPRIETARY TO PROJECTS UNLIMITED, INC. ANY USE OR REPRODUCTION, IN ANY FORM, WITHOUT PRIOR WRITTEN PERMISSION OF PROJECTS UNLIMITED, INC. IS PROHIBITED.
© 2003, Projects Unlimited Inc.

SPECIFICATIONS

PARAMETERS	VALUES	UNITS
RATED INPUT POWER	1	W
MAX INPUT POWER	2	W
IMPEDANCE	16±15%	OHM
OUTPUT SPL @ 0.1W/0.5M (AT 0.8, 1.0, 1.2, 1.5 kHz)	78±3	dB
DISTORTION	5%	-
RESONANT FREQUENCY	600±20%	Hz
FREQUENCY RANGE	600 ~ 5,200	Hz
HOUSING MATERIAL	METAL	-
CONE MATERIAL	MYLAR	-
MAGNET MATERIAL	Nd-Fe-B	-
OPERATING TEMPERATURE	-20 ~ +60	°C
WEIGHT	9	grams



REVISIONS

LTR	DESCRIPTION	DATE	APPROVED
-	RELEASED FROM ENGINEERING	4/30/03	
A	REVISED TO NEW TEMPLATE	4/15/04	R. W.

NOTES:

1. ALL DIMENSIONS ARE IN MILLIMETERS.
2. SPECIFICATION SUBJECT TO CHANGE OR WITHDRAWAL WITHOUT NOTICE.

FILE NAME
AS4016M-32.DWG

UNLESS OTHERWISE SPECIFIED:
DIMENSIONS ARE IN MILLIMETERS,
TOLERANCES ARE ±0.5 AND ANGLES ARE
±3°.



projects®
unlimited

Dayton, Ohio

MICRO SPEAKER
AS4016M-32

APPROVALS DATE

DRAWN T.P.I. 4/03

APPROVED S.J. 4/03

SIZE
A

DRAWING NO.
AS4016M-32

DO NOT SCALE DRAWING

SCALE: N.T.S.

SHEET 1 OF 1