

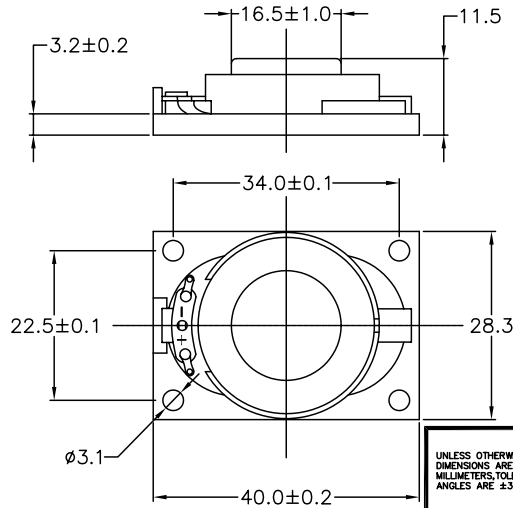
THIS DOCUMENT CONTAINS DATA PROPRIETARY TO PROJECTS UNLIMITED, INC. ANY USE OR REPRODUCTION, IN ANY FORM, WITHOUT PRIOR WRITTEN PERMISSION OF PROJECTS UNLIMITED, INC. IS PROHIBITED.
© 2003, Projects Unlimited Inc.

SPECIFICATIONS

PARAMETERS	VALUES	UNITS
RATED INPUT POWER	1	W
MAX INPUT POWER	2	W
IMPEDANCE	8±15%	OHM
OUTPUT SPL @ 1.0W/0.5M (AT 0.8, 1.0, 1.2, 1.5 kHz)	84±3	dB
DISTORTION	5%	-
RESONANT FREQUENCY	450±20%	Hz
FREQUENCY RANGE	450 ~ 20,000	Hz
HOUSING MATERIAL	ABS	-
CONE MATERIAL	BLACK CLOTH	-
MAGNET MATERIAL	Nd-Fe-B	-
OPERATING TEMPERATURE	-20 ~ +60	°C
WEIGHT	11	grams

REVISIONS

LTR	DESCRIPTION	DATE	APPROVED
-	RELEASED FROM ENGINEERING	7/7/03	
A	REVISED TO NEW TEMPLATE	4/15/04	R. W.
B	REVISED OUTPUT SPL TEST POWER	10/20/05	B. R.



NOTES:

1. ALL DIMENSIONS ARE IN MILLIMETERS.
2. SPECIFICATION SUBJECT TO CHANGE OR WITHDRAWAL WITHOUT NOTICE.

FILE NAME
AS403008-32.DWG

UNLESS OTHERWISE SPECIFIED:
DIMENSIONS ARE IN MILLIMETERS. TOLERANCES ARE ±0.5 AND ANGLES ARE ±3°.

APPROVALS	DATE
DRAWN T. P. I.	6/03
APPROVED S. J.	6/03
DO NOT SCALE DRAWING	

projects®
unlimited Dayton, Ohio

MICRO SPEAKER
AS403008-32

SIZE A DRAWING NO.
AS403008-32

SCALE: N.T.S.

SHEET 1 OF 1