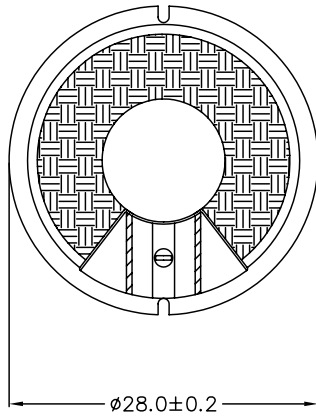


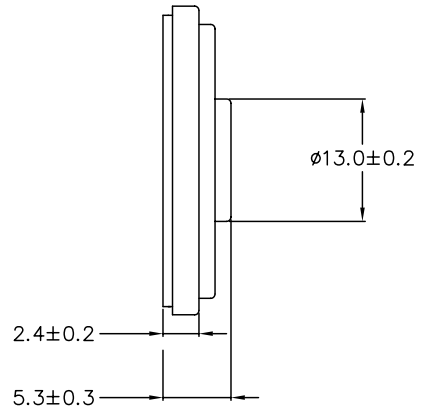
THIS DOCUMENT CONTAINS DATA PROPRIETARY TO PROJECTS UNLIMITED, INC. ANY USE OR REPRODUCTION, IN ANY FORM, WITHOUT PRIOR WRITTEN PERMISSION OF PROJECTS UNLIMITED, INC. IS PROHIBITED.
© 2003, Projects Unlimited Inc.

SPECIFICATIONS

PARAMETERS	VALUES	UNITS
RATED INPUT POWER	1.0	W
MAX INPUT POWER	2.0	W
IMPEDANCE	4±15%	OHM
OUTPUT SPL @ 1.0W/1M (AT 600, 800, 1,000, 1,200 Hz)	80±3	dB
DISTORTION	5%	-
RESONANT FREQUENCY	500±20%	Hz
FREQUENCY RANGE	500 ~ 20,000	Hz
HOUSING MATERIAL	METAL	-
CONE MATERIAL	MYLAR	-
MAGNET MATERIAL	N35	-
OPERATING TEMPERATURE	-20 ~ +50	°C
WEIGHT	6.5	grams




REVISIONS			
LTR	DESCRIPTION	DATE	APPROVED
-	RELEASED FROM ENGINEERING	11/21/03	
A	REVISED TO NEW TEMPLATE	4/14/04	R. W.



NOTES:

1. ALL DIMENSIONS ARE IN MILLIMETERS.
2. SPECIFICATION SUBJECT TO CHANGE OR WITHDRAWAL WITHOUT NOTICE.

FILE NAME
AS2804-72.DWG

UNLESS OTHERWISE SPECIFIED: DIMENSIONS ARE IN MILLIMETERS. TOLERANCES ARE ±0.5 AND ANGLES ARE ±3°.		 projects® unlimited Dayton, Ohio							
<table border="1"> <thead> <tr> <th>APPROVALS</th> <th>DATE</th> </tr> </thead> <tbody> <tr> <td>DRAWN <i>R.A.C.</i></td> <td>11/03</td> </tr> <tr> <td>APPROVED <i>E.P.</i></td> <td>11/03</td> </tr> </tbody> </table>		APPROVALS	DATE	DRAWN <i>R.A.C.</i>	11/03	APPROVED <i>E.P.</i>	11/03	DYNAMIC SPEAKER AS2804-72	
APPROVALS	DATE								
DRAWN <i>R.A.C.</i>	11/03								
APPROVED <i>E.P.</i>	11/03								
DO NOT SCALE DRAWING		SIZE A	DRAWING NO. AS2804-72						
		SCALE: N.T.S.	SHEET 1 OF 1						