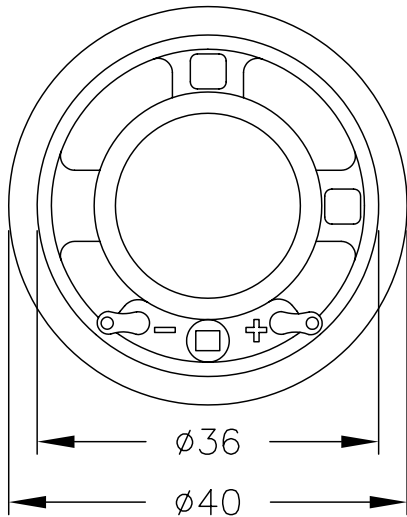


THIS DOCUMENT CONTAINS DATA PROPRIETARY TO PROJECTS UNLIMITED, INC. ANY USE OR REPRODUCTION, IN ANY FORM, WITHOUT PRIOR WRITTEN PERMISSION OF PROJECTS UNLIMITED, INC. IS PROHIBITED.
© 2005, Projects Unlimited Inc.

SPECIFICATIONS

PARAMETERS	VALUES	UNITS
RATED INPUT POWER	0.1	W
MAX INPUT POWER	0.1	W
IMPEDANCE	8±15%	OHM
OUTPUT SPL @ 1W/0.1M (AT 0.8, 1.0, 1.2, 1.5 kHz)	93±3	dB
DISTORTION (MAX.)	5%	-
RESONANT FREQUENCY	600±20%	Hz
FREQUENCY RANGE	600 ~ 5400	Hz
HOUSING MATERIAL	METAL	-
CONE MATERIAL	MYLAR	-
MAGNET MATERIAL	COBALT	-
OPERATING TEMPERATURE	-20 ~ +60	°C
WEIGHT	11.3	grams

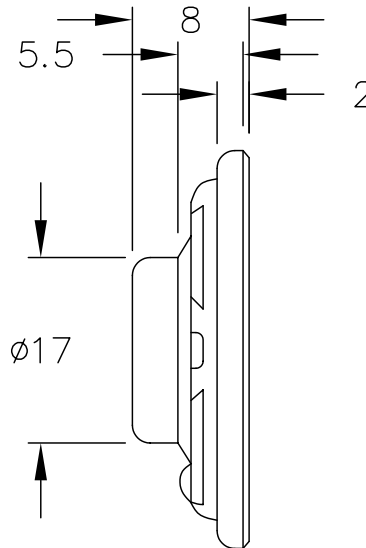



NOTES:

1. ALL DIMENSIONS ARE IN MILLIMETERS.
2. SPECIFICATION SUBJECT TO CHANGE OR WITHDRAWAL WITHOUT NOTICE.

FILE NAME
AT-40008M.DWG

REVISIONS			
LTR	DESCRIPTION	DATE	APPROVED
-	RELEASED FROM ENGINEERING	05/07/02	
A	REVISED TO NEW TEMPLATE	12/28/05	B.R.



UNLESS OTHERWISE SPECIFIED: DIMENSIONS ARE IN MILLIMETERS.TOLERANCES ARE ±0.5 AND ANGLES ARE ±3°.		 projects® unlimited Dayton , Ohio									
<table border="1"> <thead> <tr> <th>APPROVALS</th> <th>DATE</th> </tr> </thead> <tbody> <tr> <td>DRAWN <i>RABL</i></td> <td>05/02</td> </tr> <tr> <td>CHECKED <i>X.X.</i></td> <td><i>X/XX</i></td> </tr> <tr> <td>APPROVED <i>S.J.</i></td> <td>05/07/02</td> </tr> </tbody> </table>		APPROVALS	DATE	DRAWN <i>RABL</i>	05/02	CHECKED <i>X.X.</i>	<i>X/XX</i>	APPROVED <i>S.J.</i>	05/07/02	<p style="text-align: center;">SPEAKER</p>	
APPROVALS	DATE										
DRAWN <i>RABL</i>	05/02										
CHECKED <i>X.X.</i>	<i>X/XX</i>										
APPROVED <i>S.J.</i>	05/07/02										
DO NOT SCALE DRAWING		SIZE A	DRAWING NO. AT-40008M								
		SCALE: N.T.S.	SHEET 1 OF 1								