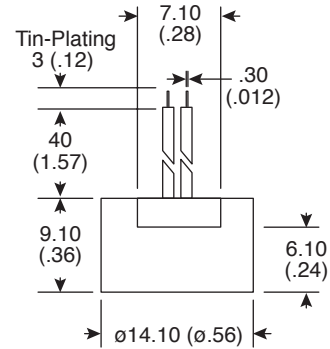
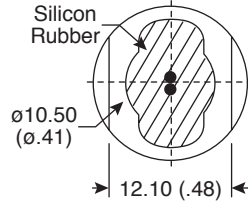


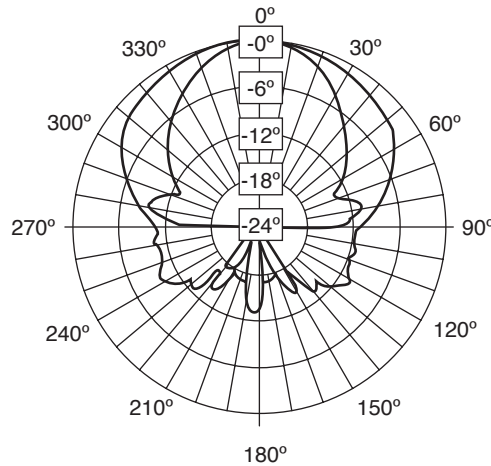
**Part Number:**

255-400EP14D-ROX

Ultrasonic Transducers (Page 1 of 2)



**Beam Angle: Tested @ 40.0KHz frequency**



KT-400289

**Electrical Specifications:**

- Center frequency ( $f_0$ ): 40.0KHz  $\pm$  1.0KHz
- SPL: 98dB @ 30cm, 10Vrms sine wave (0dB re 0.0002  $\mu$  bar)
- Sensitivity @  $f_0$ : -80dB (0dB = 1V/ $\mu$  bar)
- Ringing: 1.2ms (excludes bursts)
- Beam Angle: (-6dB) measured w/ 7.5x7.5x1.0cm reflection target; Round side = 110°, Cutting side = 60°
- Capacitance @ 1KHz: 1450pF  $\pm$  20%
- Maximum driving voltage: 120Vp-p, 30 tone bursts @ 55ms repetition rate
- Allowable input power: 0.2W

**Mechanical Specifications:**

- Type: Pulse transit
- Operating temperature: -30°C ~ +80°C
- Storage temperature: -40°C ~ +85°C

**Note:**

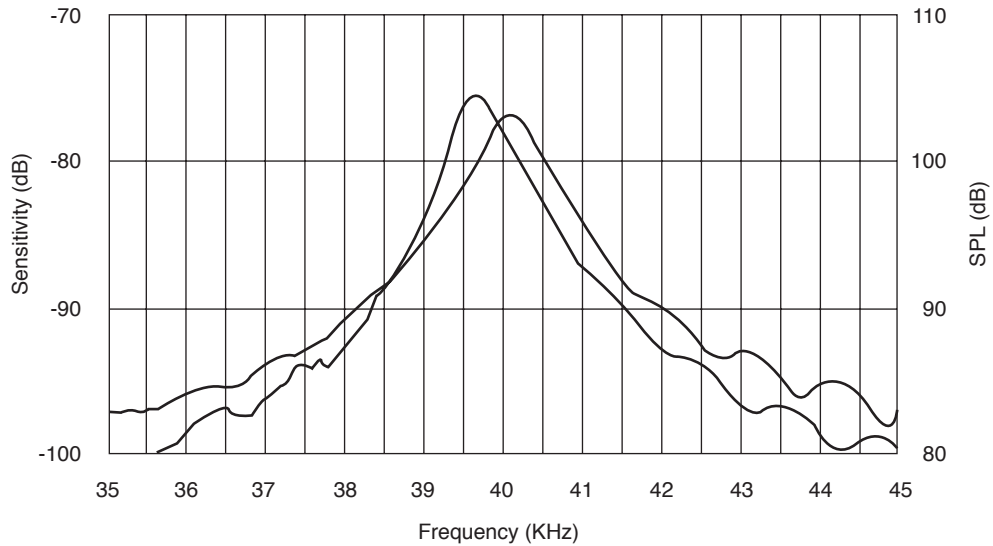
- RoHS Compliant by exemption

**Part Number:**

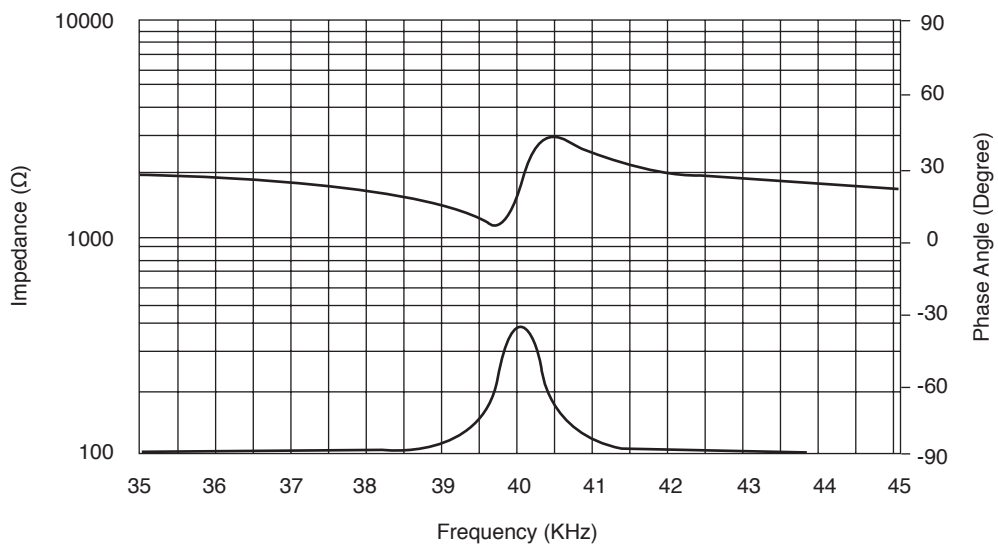
255-400EP14D-ROX

Ultrasonic Transducers (Page 2 of 2)

**Sensitivity and Sound Pressure Level: Tested under 10Vrms @ 30cm**



**Impedance & Phase Angle vs. Frequency: Tested under 1Vrms oscillation level**



KT-400289