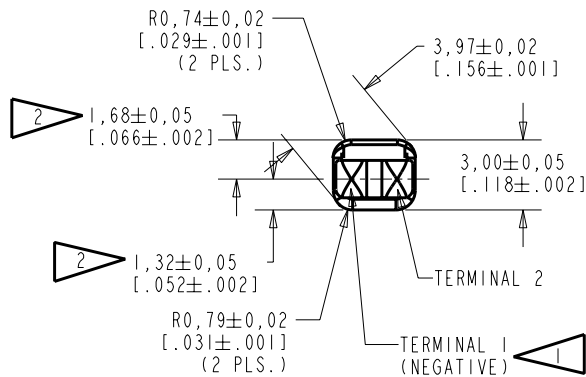
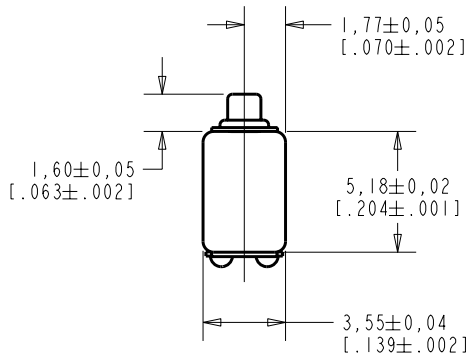


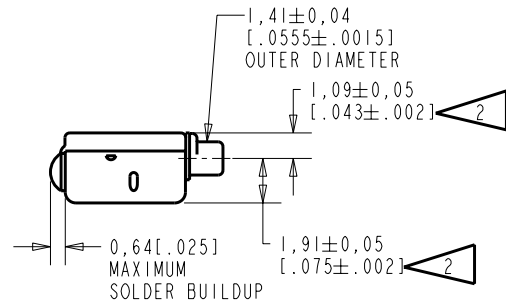
**FC-27963-000**  
SHT 1.1



NOTES:

1 A POSITIVE GOING VOLTAGE AT TERMINAL 2, RELATIVE TO TERMINAL 1, CAUSES A DECREASE IN PRESSURE AT THE SOUND OUTLET.

2 LOCATED FROM TWO SURFACES FOR CUSTOMER CONVENIENCE. ONLY APPLICABLE FROM ONE SURFACE, NOT TO BE USED TOGETHER.

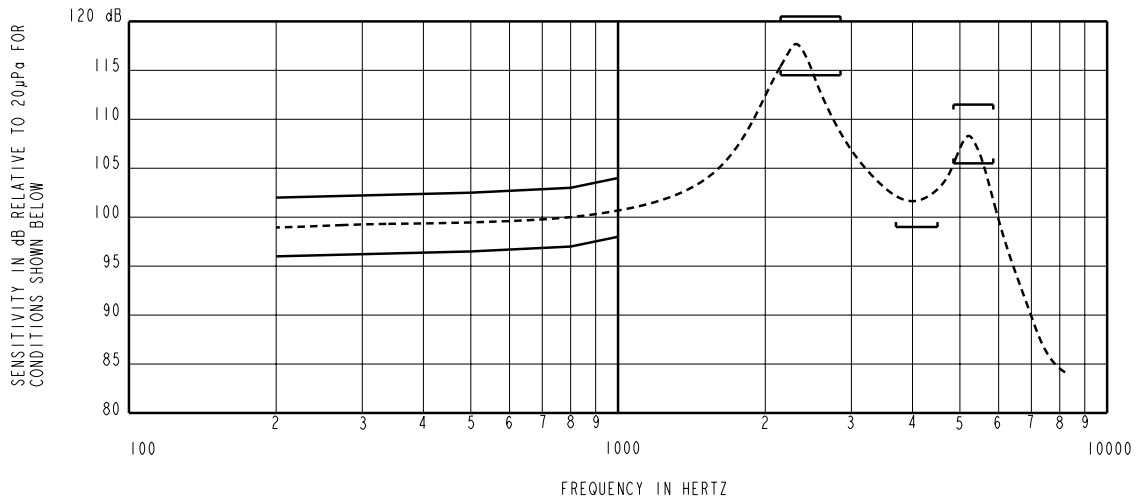


NOMINAL WEIGHT  
.23 GRAMS DIMENSIONS IN MILLIMETERS [INCHES]

**KNOWLES ELECTRONICS**  
ITASCA, ILLINOIS U.S.A.

Revision	C.O. #	Implementation Date	RELEASE LEVEL	REVISION
			Released	A
A	C10103325	11-4-05		
SCALE: 4:1			DR. BY	DATE
DO NOT SCALE DRAWING			CRG	11-4-05
TITLE: RECEIVER		FC-27963-000	CK. BY	DATE
OUTLINE DRAWING		SHT 1.1	GJP	11-8-05
			APP. BY	DATE
			GJP	11-8-05

KE111ASTZE.FRM Rev: B



NOTES:

1. MEASUREMENTS MADE USING 10mm (.394") X 1mm (.039") ID TUBE CONNECTED TO A SIMULATED ANSI S3.3-1960 TYPE HA-3 COUPLER. (T3420 AND B & K DB0138).

2.

FREQUENCY	SENSITIVITY	
	MIN.	MAX.
200	96.0	102.0
500	96.5	102.5
800	97.0	103.0
1000	98.0	104.0
2150-2850	114.5	120.5
3700-4500	99.0	---
4850-5850	105.5	111.5

- 3. RESPONSE, IMPEDANCE, AND DISTORTION MEASUREMENTS MADE USING THE ELECTRICAL TEST CONDITIONS SHOWN BELOW.
- 4. ELECTRICAL SOURCE IMPEDANCE MUST BE GREATER THAN 20 TIMES 1KHz IMPEDANCE FOR TEST CONDITIONS SHOWN BELOW.
- 5. INDIVIDUAL SPECIFICATIONS.

PORT LOCATION	IMPEDANCE OHMS ±15%		DCR @20°C OHMS ±10%	DISTORTION		ELECTRICAL TEST CONDITIONS	
	1KHz	500Hz		MAX. %	FREQ Hz	AC mA RMS	DC mA
12C	820	650	465	10	800	0.81	0.00

Revision	C.O. #	Implementation Date	RELEASE LEVEL	REVISION
A	C10103325	11-4-05	Released	A

**KNOWLES ELECTRONICS**  
 ITASCA, ILLINOIS U.S.A.

WHEN TEST LIMITS ARE USED TO ESTABLISH INCOMING INSPECTION ACCEPTANCE/REJECTION CRITERIA, CORRELATION OF TEST EQUIPMENT WITH KNOWLES IS ALSO REQUIRED FOR ELIMINATION OF EQUIPMENT AND TEST METHOD VARIATION

TITLE: **RECEIVER** FC-27963-000  
 PERFORMANCE SPECIFICATION SHT 2.1

DR. BY	DATE
CRG	11-4-05
CK. BY	DATE
GJP	11-8-05
APP. BY	DATE
GJP	11-8-05