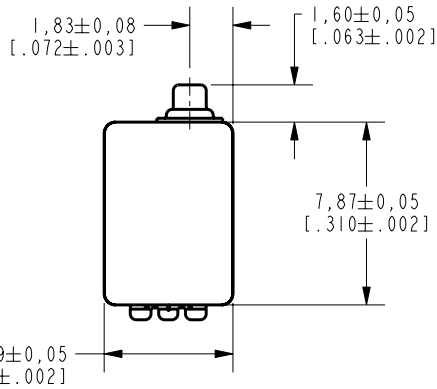
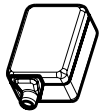
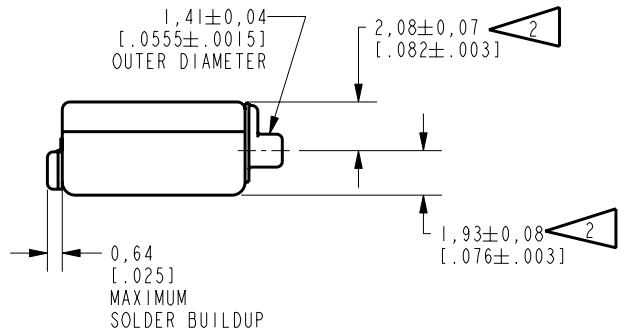
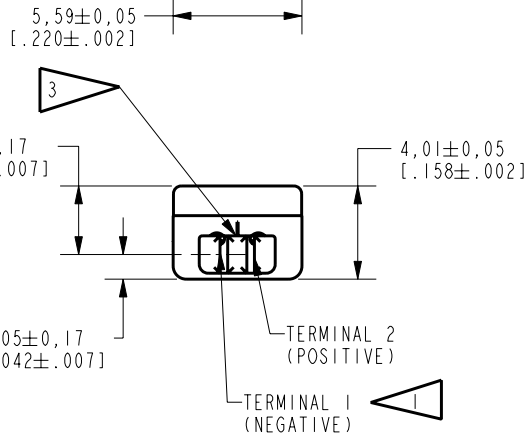


EF-26872-000
SHT 1.1



NOTES:

- 1 A POSITIVE GOING VOLTAGE AT TERMINAL 2, RELATIVE TO TERMINAL 1, CAUSES A DECREASE IN PRESSURE AT THE SOUND OUTLET.
- 2 LOCATED FROM TWO SURFACES FOR CUSTOMER CONVENIENCE. ONLY APPLICABLE FROM ONE SURFACE, NOT TO BE USED TOGETHER.
- 3 TERMINAL ELECTRICALLY CONNECTED TO CASE.



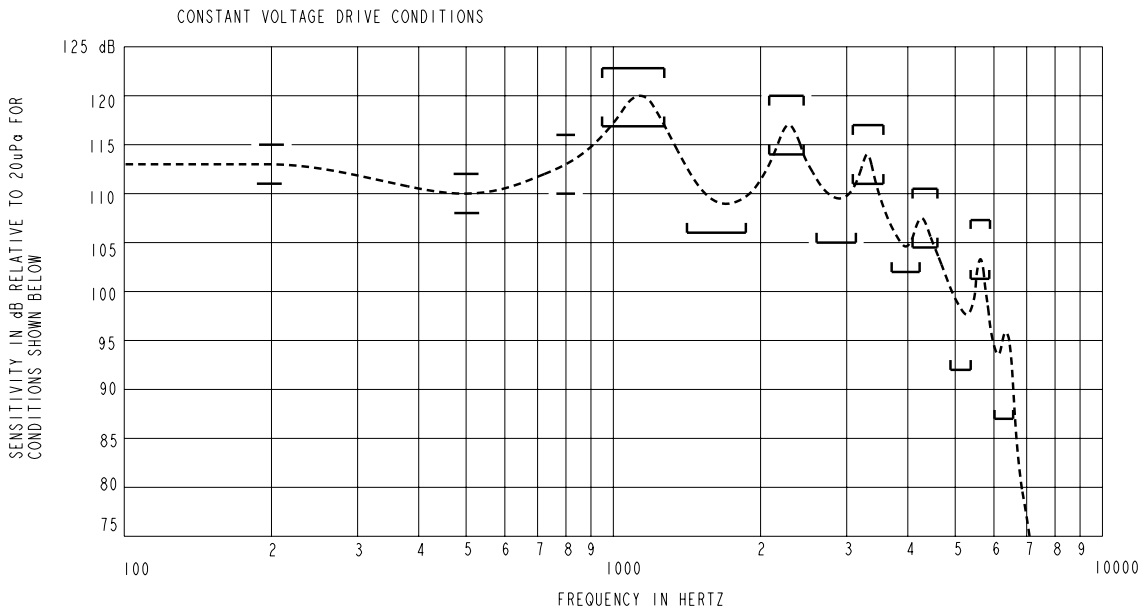
SCALE 2:1
NOMINAL WEIGHT .66 GRAM
DIMENSIONS IN MILLIMETERS [INCHES]

KNOWLES ELECTRONICS
ITASCA, ILLINOIS U.S.A.

Revision	C.O. #	Implementation Date	RELEASE LEVEL	REVISION
B	C10104700	8-31-06	Released	B
A	C10103800P	2-1-06		

SCALE:	4:1		DR. BY	DATE
DO NOT SCALE DRAWING			MMM	2-1-06
TITLE:	RECEIVER	EF-26872-000	CK. BY	DATE
	OUTLINE DRAWING	SHT 1.1	GJP	2-8-06
			APP. BY	DATE
			GJP	2-8-06

KE111ASTZE.FRM Rev: B



ACOUSTICAL

SENSITIVITY
 DEVICE WILL PRODUCE THE SPL LISTED BELOW UNDER TEST CONDITIONS DESCRIBED IN TABLE 3.
 NOMINAL SENSITIVITY AT 500 Hz IS dB RELATIVE TO 20 µPa. ALL OTHER VALUES
 IN dB RELATIVE TO THE SENSITIVITY AT 500 Hz.

FREQUENCY (Hz)	MINIMUM	NOMINAL	MAXIMUM
200	+1.0	+3.0	+5.0
500	-2.0	110.0	+2.0
800	0.0	+3.0	+6.0
950-1350	+7.0	+10.0	+13.0
1500-1900	-4.0	-	-
2100-2500	+4.0	+7.0	+10.0
2650-3150	-5.0	-	-
3100-3600	+1.0	+4.0	+7.0
3750-4250	-8.0	-	-
4100-4600	-5.5	-2.5	+0.5
4900-5400	-17.0	-	-
5400-5900	-9.7	-6.7	-3.7
6300	-23.0	-	-

PORT LOCATION: IS

TABLE 1

TOTAL HARMONIC DISTORTION
 DEVICE WILL NOT EXCEED TOTAL HARMONIC DISTORTION LEVELS LISTED BELOW.

FREQUENCY (Hz)	AC DRIVE (V rms)	DC BIAS (mA)	LIMIT (%)
500	0.290	0	5
560	0.500	0	5

TABLE 2

TEST CONDITIONS

NOMINAL SOURCE VOLTAGE	0.290 V rms, 0 mA DC BIAS
SOURCE IMPEDANCE	<1 Ohm
TUBING	8mm x 1mm + 28mm x 1.5mm ID EAR HOOK SIMULATOR + 25mm x 2mm ID TUBE + 18mm x 3mm ID TUBE
COUPLER CAVITY	2 CM ³ , SIMULATED ANSI S3.7 TYPE HA-3 (IEC 126)

ELECTRICAL

DC RESISTANCE	105 Ohms ± 10%
IMPEDANCE @ 500 Hz	252 Ohms ± 10%
IMPEDANCE @ 1kHz	636 Ohms ± 10%

TABLE 4

ISOLATION: CASE WILL BE ELECTRICALLY ISOLATED FROM THE COIL CIRCUIT.

Revision	C.O. #	Implementation Date	RELEASE LEVEL	REVISION
B	C10104700	8-31-06	Released	B
A	C10103800P	2-1-06		

KNOWLES ELECTRONICS
 ITASCA, ILLINOIS U.S.A.

WHEN TEST LIMITS ARE USED TO ESTABLISH INCOMING INSPECTION ACCEPTANCE/REJECTION CRITERIA, CORRELATION OF TEST EQUIPMENT WITH KNOWLES IS ALSO REQUIRED FOR ELIMINATION OF EQUIPMENT AND TEST METHOD VARIATION

TITLE: **RECEIVER**
 PERFORMANCE SPECIFICATION

EF-26872-000
 SHT 2.1

DR. BY	DATE
MM	2-1-06
CK. BY	DATE
GJP	2-8-06
APP. BY	DATE
GJP	2-8-06