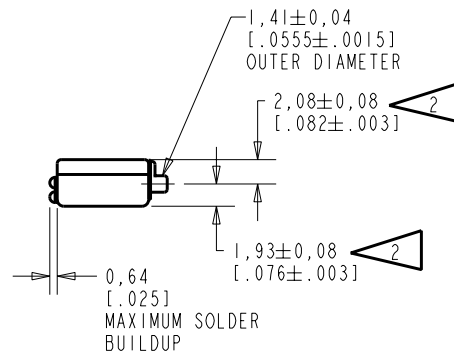
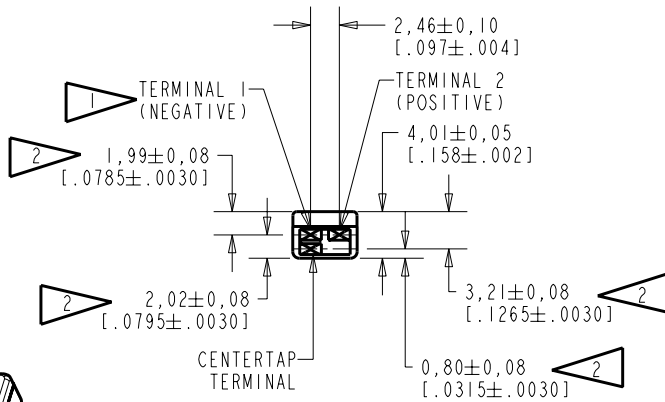
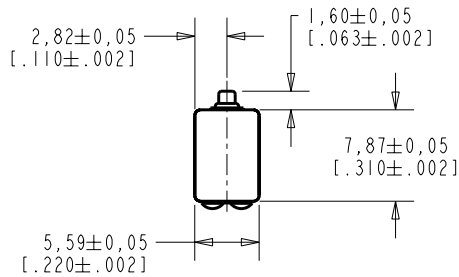


**EF-26430-000**  
SHT 1.1

NOTES:

- 1 A POSITIVE GOING VOLTAGE AT TERMINAL 2, RELATIVE TO TERMINAL 1, CAUSES A DECREASE IN PRESSURE AT THE SOUND OUTLET.
- 2 LOCATED FROM TWO SURFACES FOR CUSTOMER CONVENIENCE. ONLY APPLICABLE FROM ONE SURFACE, NOT TO BE USED TOGETHER. HORIZONTAL LOCATION FOR TERMINAL CENTERED TO  $\pm 0,17$  [.007].



NOMINAL WEIGHT  
.66 GRAM      DIMENSIONS IN MILLIMETERS [INCHES]

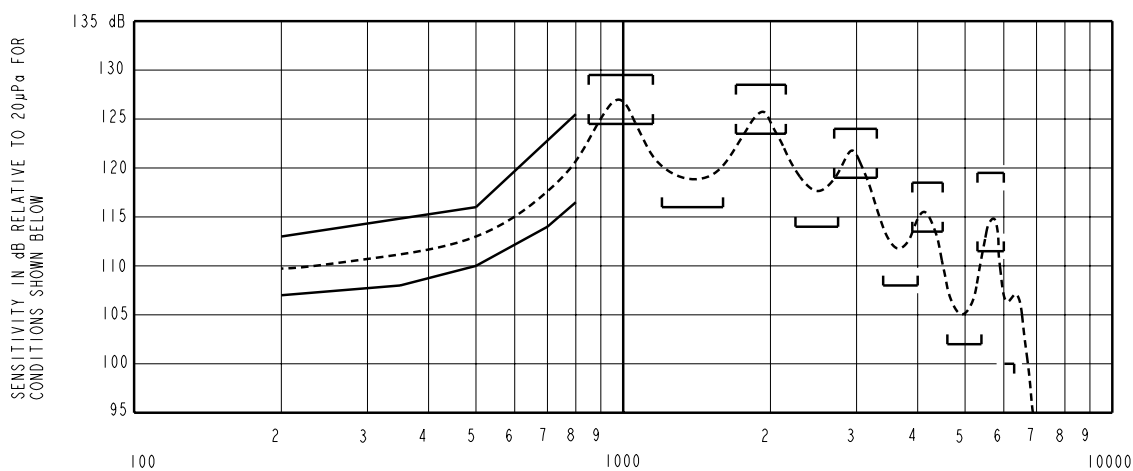
**KNOWLES ELECTRONICS**  
ITASCA, ILLINOIS U.S.A.

Revision	C.O. #	Implementation Date	RELEASE LEVEL	REVISION
A	C10103832	2-2-06	Released	A

SCALE:	2:1	DR. BY	DATE
DO NOT SCALE DRAWING		MMM	2-2-06
TITLE: RECEIVER		CK. BY	DATE
OUTLINE DRAWING		GJP	2-6-06
		APP. BY	DATE
		GJP	2-6-06

KE111ASTZE.FRM Rev: B



NOTES:

FREQUENCY IN HERTZ

- MEASUREMENTS MADE USING 8mm (.315") X 1mm (.039") ID + 28mm (1.10") X 1.5mm (.059") ID EAR HOOK SIMULATOR INTO 25mm (.984") OF 2mm (.079") ID TUBE + 18mm (.709") OF 3MM (.118") ID TUBE + 2cm<sup>3</sup> CAVITY (AS IEC126). (T-2607 AND B & K DB0138).
- SENSITIVITY

FREQUENCY	MIN.	MAX.
200	107.0	113.0
350	108.0	---
500	110.0	116.0
700	114.0	---
800	116.5	125.5
850-1150	124.5	129.5
1200-1600	116.0	---
1700-2150	123.5	128.5
2250-2750	114.0	---
2700-3300	119.0	124.0
3400-4000	108.0	---
3900-4500	113.5	118.5
4600-5400	102.0	---
5300-6000	111.5	119.5
<6300	100.0	---

- RESPONSE, IMPEDANCE, AND DISTORTION MEASUREMENTS MADE USING THE ELECTRICAL TEST CONDITIONS SHOWN BELOW.
- ELECTRICAL SOURCE IMPEDANCE MUST BE GREATER THAN 20 TIMES 1KHz IMPEDANCE FOR TEST CONDITIONS SHOWN BELOW.
- INDIVIDUAL SPECIFICATIONS.

PORT LOCATION	IMPEDANCE OHMS ±15%		DCR @20°C OHMS ±10%	DISTORTION		ELECTRICAL TEST CONDITIONS	
	1KHz	500Hz		MAX. %	FREQ Hz	AC mA RMS	DC mA
12S	964	438	165	10	500	0.94	0.00

Revision	C.O. #	Implementation Date	RELEASE LEVEL	REVISION
A	C10103832	2-2-06	Released	A

**KNOWLES ELECTRONICS**  
**ITASCA, ILLINOIS U.S.A.**

WHEN TEST LIMITS ARE USED TO ESTABLISH INCOMING INSPECTION ACCEPTANCE/REJECTION CRITERIA, CORRELATION OF TEST EQUIPMENT WITH KNOWLES IS ALSO REQUIRED FOR ELIMINATION OF EQUIPMENT AND TEST METHOD VARIATION	DR. BY MMM	DATE 2-2-06
TITLE: RECEIVER	EF-26430-000	GJP 2-6-06
PERFORMANCE SPECIFICATION	SHT 2.1	APP. BY GJP
		DATE 2-6-06