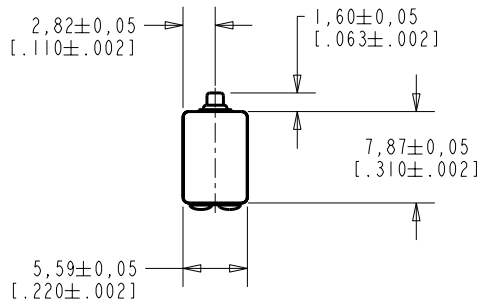
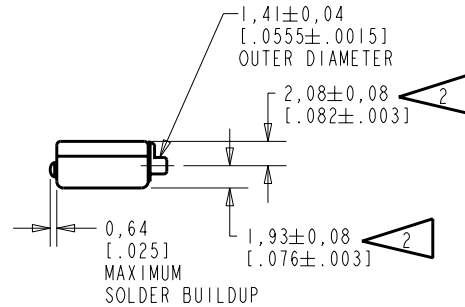
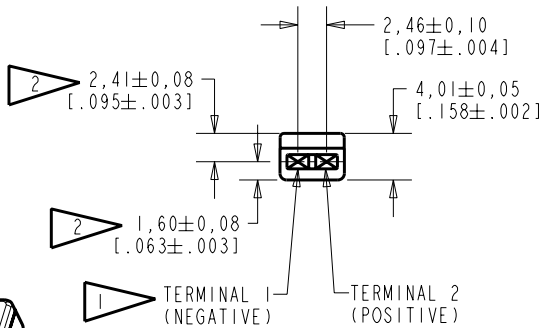


EF-26356-A17
SHT 1.1



NOTES:

- 1 A POSITIVE GOING VOLTAGE AT TERMINAL 2, RELATIVE TO TERMINAL 1, CAUSES A DECREASE IN PRESSURE AT THE SOUND OUTLET.
- 2 LOCATED FROM TWO SURFACES FOR CUSTOMER CONVENIENCE. ONLY APPLICABLE FROM ONE SURFACE, NOT TO BE USED TOGETHER. HORIZONTAL LOCATION FOR TERMINAL CENTERED TO ±0,17 [0.007].



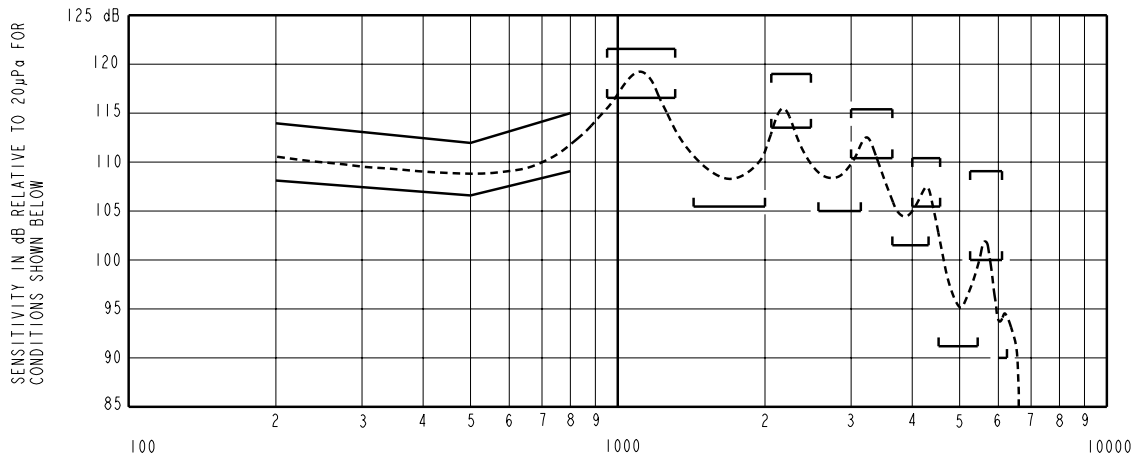
NOMINAL WEIGHT
.66 GRAM

DIMENSIONS IN MILLIMETERS [INCHES]

KNOWLES ELECTRONICS
ITASCA, ILLINOIS U.S.A.

Revision	C.O. #	Implementation Date	RELEASE LEVEL	REVISION
			Released	A
A	C10103479	11-29-05		
SCALE: 2:1			DR. BY	DATE
DO NOT SCALE DRAWING			MMM	11-29-05
TITLE: RECEIVER		EF-26356-A17	CK. BY	DATE
OUTLINE DRAWING		SHT 1.1	GJP	11-29-05
			APP. BY	DATE
			GJP	11-29-05

KE111ASTZE.FRM Rev: 8



NOTES:

FREQUENCY IN HERTZ

1. MEASUREMENTS MADE USING 8mm (.315") X 1mm (.039") ID + 28mm (1.10") X 1.5mm (.059") ID EAR HOOK SIMULATOR INTO 25mm (.984") OF 2mm (.079") ID TUBE + 18mm (.709") OF 3mm (.118") ID TUBE + 2cm³ CAVITY (AS IEC126). (T-2607 AND B & K DB0138).

2. SENSITIVITY

FREQUENCY	MIN.	MAX.
200	108.0	114.0
500	106.5	112.5
800	109.0	115.0
950-1300	117.0	122.0
1500-2000	105.5	---
2100-2500	113.5	118.5
2600-3100	105.0	---
3000-3600	110.5	115.5
3600-4200	102.0	---
4000-4600	105.5	110.5
4700-5500	92.5	---
5300-6100	100.0	109.0
<6300	90.0	---

3. RESPONSE, IMPEDANCE, AND DISTORTION MEASUREMENTS MADE USING THE ELECTRICAL TEST CONDITIONS SHOWN BELOW.

4. INDIVIDUAL SPECIFICATIONS.

PORT LOCATION	IMPEDANCE OHMS ±15%		DCR @20°C OHMS ±10%	DISTORTION		ELECTRICAL SIGNAL SOURCE IMPEDANCE: <1		HIGH DRIVE T.H.D. SOURCE IMPEDANCE: <1		HIGH DRIVE T.H.D. DISTORTION			
	1KHz	500Hz		MAX. %	FREQ Hz	AC V RMS	DC mA	AC V RMS	DC mA	MAX. %	FREQ. Hz	MAX. %	FREQ. Hz
12S	173	78	39.1	5	500	0.14	0.00	0.44	0.00	8	500	20	350

Revision	C.O. #	Implementation Date	RELEASE LEVEL	REVISION
A	C10103479	11-29-05	Released	A

KNOWLES ELECTRONICS
ITASCA, ILLINOIS U.S.A.

WHEN TEST LIMITS ARE USED TO ESTABLISH INCOMING INSPECTION ACCEPTANCE/REJECTION CRITERIA, CORRELATION OF TEST EQUIPMENT WITH KNOWLES IS ALSO REQUIRED FOR ELIMINATION OF EQUIPMENT AND TEST METHOD VARIATION

TITLE: **RECEIVER** EF-26356-A17
PERFORMANCE SPECIFICATION SHT 2.1

DR. BY	DATE
MM	11-29-05
CK. BY	DATE
GJP	11-29-05
APP. BY	DATE
GJP	11-29-05