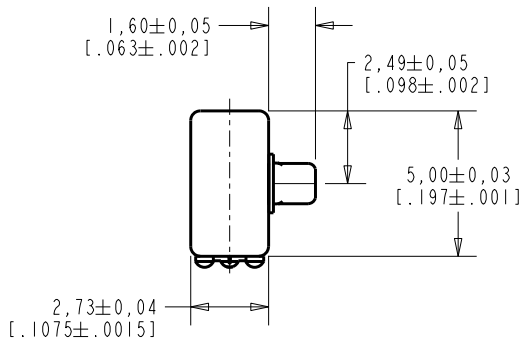


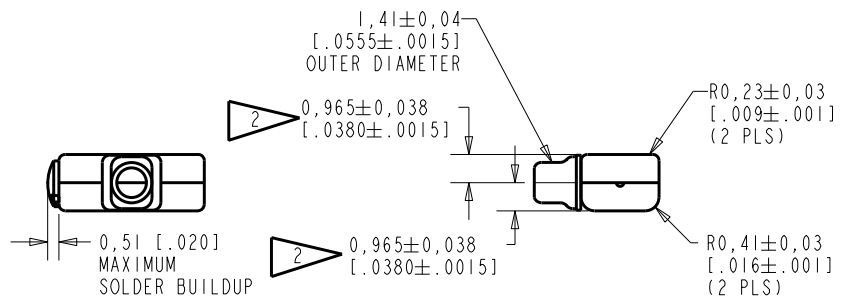
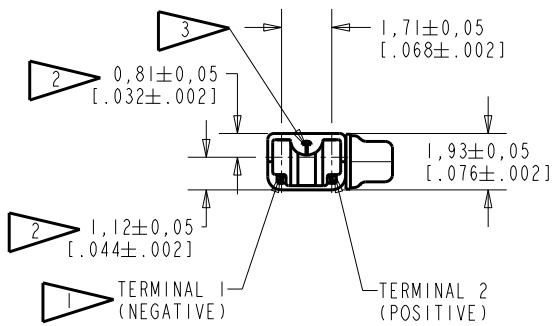
**FK-26888-000**

**SHT 1.1**



**NOTES:**

- 1 A POSITIVE GOING VOLTAGE AT TERMINAL 2, RELATIVE TO TERMINAL 1, CAUSES A DECREASE IN PRESSURE AT THE SOUND OUTLET.
- 2 LOCATED FROM TWO SURFACES FOR CUSTOMER CONVENIENCE. ONLY APPLICABLE FROM ONE SURFACE, NOT TO BE USED TOGETHER.
- 3 TERMINAL ELECTRICALLY CONNECTED TO CASE.



SCALE 2:1  
NOMINAL WEIGHT  
.11 GRAMS

DIMENSIONS IN MILLIMETERS [INCHES]

**KNOWLES ELECTRONICS**  
ITASCA, ILLINOIS U.S.A.

Revision	C.O. #	Implementation Date	RELEASE LEVEL	REVISION
			Active	D
D	C10112265	3-31-11		
SCALE: 5:1			DR. BY	DATE
DO NOT SCALE DRAWING			MMM	7-31-06
TITLE: RECEIVER		FK-26888-000	CK. BY	DATE
OUTLINE DRAWING		SHT 1.1	GJP	8-4-06
			APP. BY	DATE
			GJP	8-4-06

RE111ASIZE.FRM

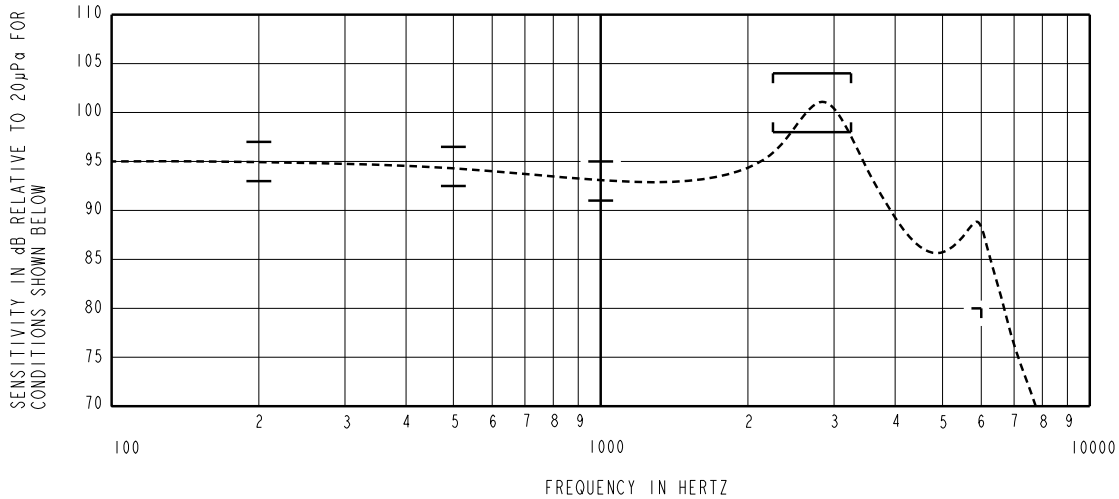
Rev: B

THE FK-26888-000 IS AN UNDAMPED MAGNETIC BALANCED ARMATURE RECEIVER INTENDED FOR USE IN CIC HEARING INSTRUMENTS. THIS MODEL HAS HIGH PERMEABILITY CUP & COVER TO REDUCE MAGNETIC RADIATION, AND HAS THE CENTER TERMINAL ELECTRICALLY CONNECTED TO CASE.

NO DAMPING

FK-26888-000  
SHEET 2.1

CONSTANT VOLTAGE DRIVE CONDITIONS



ACOUSTICAL

SENSITIVITY  
DEVICE WILL PRODUCE THE SPL LISTED BELOW UNDER TEST CONDITIONS DESCRIBED IN TABLE 3.  
NOMINAL SENSITIVITY AT 1kHz IS dB RELATIVE TO 20µPa. ALL OTHER VALUES IN dB RELATIVE TO THE SENSITIVITY AT 1kHz.

FREQUENCY (Hz)	MINIMUM	NOMINAL	MAXIMUM
200	0.0	+2.0	+4.0
500	-0.5	+1.5	+3.5
1000	-2.0	93.0	+2.0
2250 - 3250	+5.0	+8.0	+11.0
6000	80.0	---	---

TABLE 1

TOTAL HARMONIC DISTORTION  
DEVICE WILL NOT EXCEED TOTAL HARMONIC DISTORTION LEVELS LISTED BELOW.

FREQUENCY (Hz)	AC DRIVE (V rms)	DC BIAS (V)	LIMIT (%)
920	0.367	0	5
1380	0.367	0	5
920	1.04	0	10

TABLE 2

TEST CONDITIONS

NOMINAL SOURCE VOLTAGE	0.367 V rms, 0 mA DC BIAS
SOURCE IMPEDANCE	<1 Ohm
TUBING	10mm [.394"] LONG, 1mm [.039"] I.D.
COUPLER CAVITY	2 CM <sup>3</sup> , SIMULATED ANSI S3.7 TYPE HA-3 (IEC 60318-5)

TABLE 3

ELECTRICAL

DC RESISTANCE	580 Ohms ± 10%
IMPEDANCE @ 500 Hz	690 Ohms ± 15%
IMPEDANCE @ 1kHz	940 Ohms ± 15%

TABLE 4

ISOLATION: CASE WILL BE ELECTRICALLY ISOLATED FROM THE COIL CIRCUIT.

PORT LOCATION: 3S

SOLDER TYPE: SAC305

TEMPERATURE  
OPERATURE: SENSITIVITY WILL NOT VARY MORE THAN +1/-3 dB FROM -17°C TO 63°C.  
STORAGE: -40°C TO 63°C.

Revision	C.O. #	Implementation Date	RELEASE LEVEL	REVISION
			Active	D
D	C10112265	3-31-11		

WHEN TEST LIMITS ARE USED TO ESTABLISH INCOMING INSPECTION ACCEPTANCE/REJECTION CRITERIA, CORRELATION OF TEST EQUIPMENT WITH KNOWLES IS ALSO REQUIRED FOR ELIMINATION OF EQUIPMENT AND TEST METHOD VARIATION		DR. BY	DATE
		MMM	7-31-06
TITLE: RECEIVER		FK-26888-000	GJP
PERFORMANCE SPECIFICATION		SHT 2.1	8-4-06
		APP. BY	DATE
		GJP	8-4-06

**KNOWLES ELECTRONICS**  
ITASCA, ILLINOIS U.S.A.