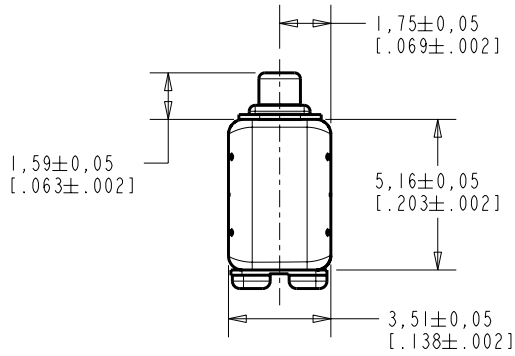
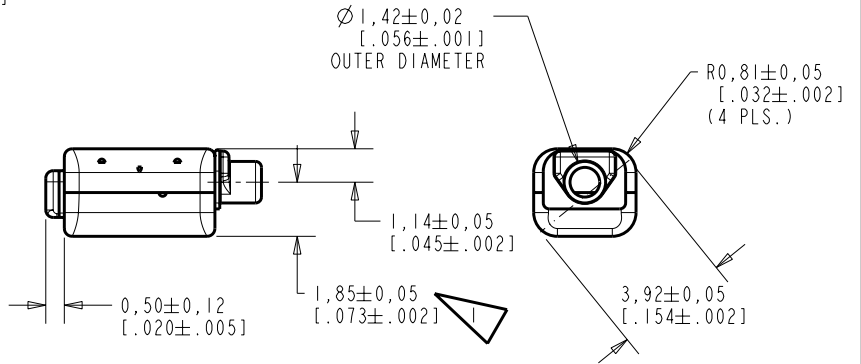
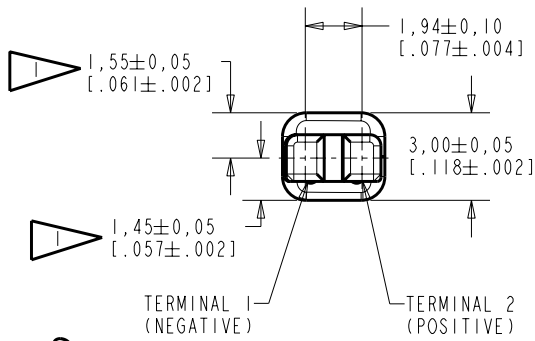


**HC-23773-000**  
SHT 1.1



NOTE:

LOCATED FROM TWO SURFACES FOR CUSTOMER CONVENIENCE. ONLY APPLICABLE FROM ONE SURFACE, NOT TO BE USED TOGETHER. HORIZONTAL LOCATION FOR TERMINAL CENTERED TO±0,17 [.007].



SCALE 2:1

NOMINAL WEIGHT .23 GRAMS DIMENSIONS IN MILLIMETERS [INCHES]

**KNOWLES ELECTRONICS**  
ITASCA, ILLINOIS U.S.A.

Revision	C.O. #	Implementation Date	RELEASE LEVEL	REVISION
B	C10103946	2-20-06	Released	B
A	C10103365	11-29-05		

SCALE: 5:1	DR. BY: AB	DATE: 11-29-05
DO NOT SCALE DRAWING	CK. BY: GJP	DATE: 12-5-05
TITLE: RECEIVER	APP. BY: GJP	DATE: 12-5-05
OUTLINE DRAWING	HC-23773-000	SHT 1.1

KE111ASTZE.FRM Rev: B

**DESCRIPTION**

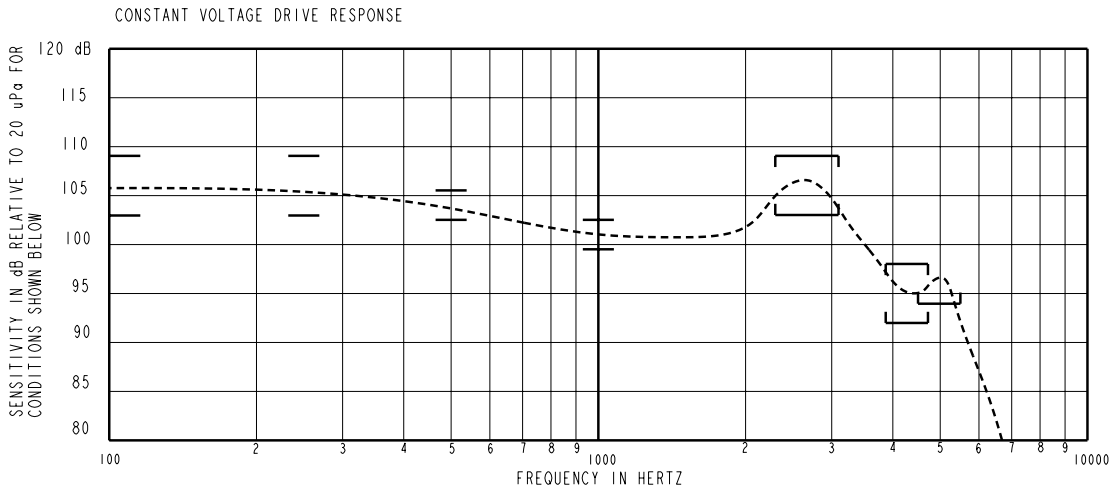
NO DAMPING

HC-23773-000

SHEET 2.1

THE HC-23773-000 IS A MAGNETIC BALANCED ARMATURE RECEIVER INTENDED FOR USE IN ITC AND CIC HEARING INSTRUMENTS. THE HC FAMILY OFFERS 6 dB HIGHER OUTPUT LEVELS IN THE SAME SIZE PACKAGE AS THE FC FAMILY. ALL HC UNITS HAVE SHOCK PROTECTION. THIS MODEL HAS MEDIUM-HIGH IMPEDANCE AND IS UNDAMPED.

NOTE: SPECIFICATIONS FOLLOWED BY AN ASTERISK (\*) ARE 100% TESTED.



**ACOUSTICAL**

**SENSITIVITY\***  
 DEVICE WILL PRODUCE THE SPL LISTED BELOW WITH THE TEST CONDITIONS DESCRIBED IN TABLES 3. NOMINAL SENSITIVITY AT 1 kHz IS dB RELATIVE TO 20uPa. ALL OTHER VALUES IN dB RELATIVE TO THE SENSITIVITY AT 1 kHz.

FREQUENCY (Hz)	MINIMUM	NOMINAL	MAXIMUM
100	+2	+5	+8
250	+2	+5	+8
500	-1.5	+3	+4.5
1000	-1.5	101.0	+1.5
2300-3100 PEAK	+2	+5	+8
3890-4750 VALLEY	-9	-6	-3
4500-5500 PEAK	-7	---	---

TABLE 1.

**TOTAL HARMONIC DISTORTION\***  
 DEVICE WILL NOT EXCEED TOTAL HARMONIC DISTORTION LEVELS LISTED BELOW.

FREQUENCY (Hz)	DRIVE (V RMS)	DC BIAS (MA)	LIMIT (%)
900	0.564 V	0	5
1350	0.564 V	0	5
500	1.59 V	0	10

TABLE 2.

**TEST CONDITIONS**

NOMINAL SOURCE VOLTAGE	0.564 Vrms, 0 Vdc BIAS
SOURCE IMPEDANCE	< 1 Ω
TUBING	10 mm (.394) LONG, 1 mm (.039) ID.
COUPLER CAVITY	2 CC SIMULATED ANSI S3.7 TYPE HA-3, (IEC 126)

TABLE 3.

**POLARITY \***  
 POSITIVE SIGNAL APPLIED TO TERMINAL 2 WILL PRODUCE A DECREASE IN SOUND PRESSURE AT THE SOUND OUTLET.

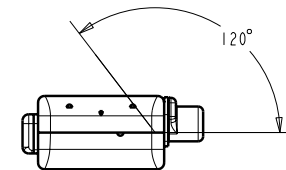
**ELECTRICAL**

DC RESISTANCE	489Ω ±10% *
IMPEDANCE @ 500 Hz	843Ω ±15% *
IMPEDANCE @ 1 kHz	1610Ω ±20% *
INDUCTANCE @ 500Hz	219 ±15%
CAPACITANCE @ 10 MHz	6pF ±20%

TABLE 4.

**ISOLATION:** THE CASE WILL BE ELECTRICALLY ISOLATED FROM THE COIL CIRCUIT\*

**MAGNETIC RADIATION**  
 WORST CASE: FIELD WILL BE LESS THAN LEVEL STATED BELOW AT AMPLIFIER CLIPPING (.920 V).  
 134 dB re 1μA/m  
 DISTANCE OF 6.3 mm FROM CENTER OF RECEIVER  
 ANGLE OF 120 DEGREES FROM TUBE



**MECHANICAL**

PORT LOCATION: 12C

SOLDER TYPE: 96.5% Sn, 3% Ag, 0.5% Cu (LEAD FREE)

**TEMPERATURE**

OPERATING: SENSITIVITY WILL NOT VARY MORE THAN +1/-3 dB FROM -17°C TO 63°C  
 STORAGE: -40°C TO 63°C

**RELIABILITY**

UNITS WILL SURVIVE ANY OF THE FOLLOWING ACCELERATED LIFE TESTS, REPORT AVAILABLE FROM QA DEPARTMENT

HALT TEST (8 WEEKS, 63°C, 95% RH, 0.83V, 500 Hz SIGNAL)  
 HIGH TEMPERATURE STORAGE (63°C, 72 HOURS)  
 LOW TEMPERATURE STORAGE (-40°C, 72 HOURS)  
 DAMP HEAT CYCLING (ALTERNATE 25°C TO 63°C, 93% RH, 20 CYCLES)  
 THERMAL SHOCK (-40°C TO 63°C, 5 CYCLES)  
 SOLDER/DESOLDER CYCLING (5 CYCLES)  
 SOLDER PAD STRENGTH (STRENGTH > 1.8 LBS.)  
 STRESS TEST (10.56 Vrms AT 2700 Hz SIGNAL, 1 HOUR)  
 MECHANICAL SHOCK  
 LEAK TEST AFTER AGING (NO LEAK AFTER ANY OF THE ABOVE TESTS)

Revision	C.O. #	Implementation Date	RELEASE LEVEL	REVISION
B	C10103946	2-20-06	Released	B
A	C10103365	11-29-05		

**KNOWLES ELECTRONICS**  
 ITASCA, ILLINOIS U.S.A.

WHEN TEST LIMITS ARE USED TO ESTABLISH INCOMING INSPECTION ACCEPTANCE/REJECTION CRITERIA, CORRELATION OF TEST EQUIPMENT WITH KNOWLES IS ALSO REQUIRED FOR ELIMINATION OF EQUIPMENT AND TEST METHOD VARIATION	DR. BY AB	DATE 11-29-05
TITLE: RECEIVER	HC-23773-000	GJP 12-5-05
PERFORMANCE SPECIFICATION	SHT 2.1	APP. BY GJP 12-5-05