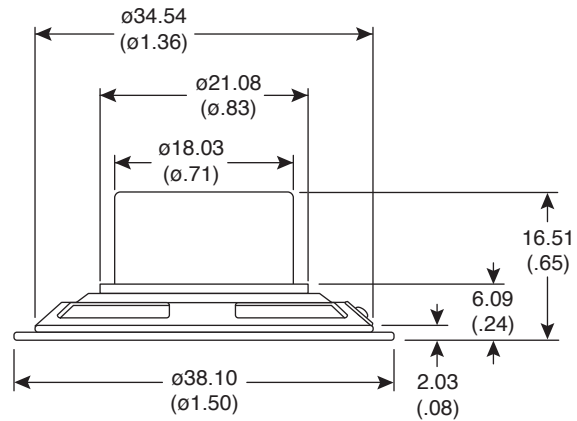
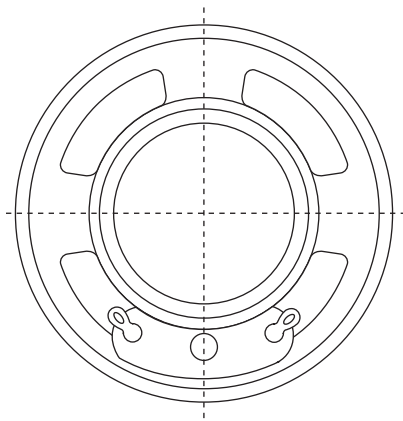


Part Number:

25SP015



Speaker

KT-400043

Electrical Specifications:

- Resonant frequency: 800Hz \pm 120Hz
- Frequency range: 800Hz~4000Hz
- Max. Input: 0.1W
- Impedance: 8 Ω \pm 15%

Material:

- Magnet: Alinco; weight .35 oz