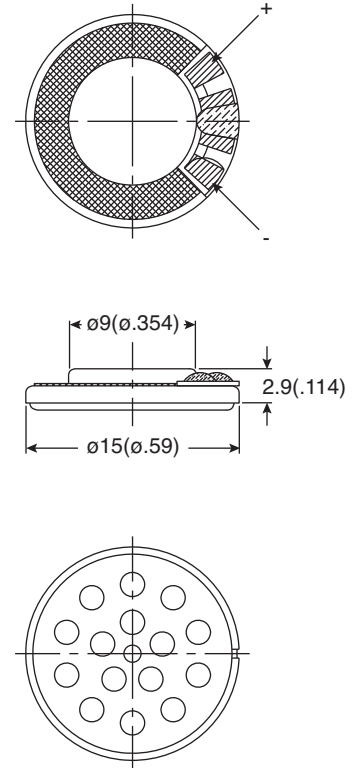
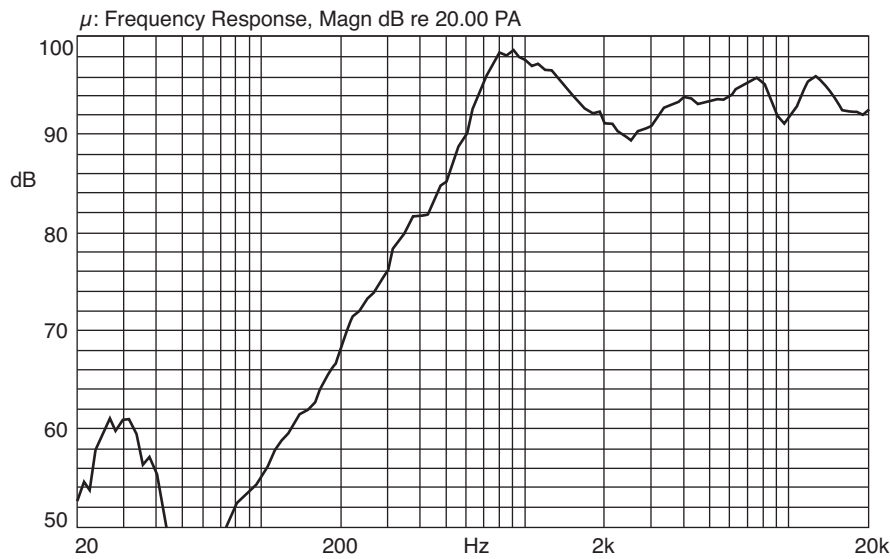


Part Number:

254-DS152-RO

Frequency Response Curve



Dynamic Speaker

KT-400535

Electrical Specifications:

- Rated Input Power: 0.5W
- Max. Input Power: Must be normal at 0.8W White Noise for 1 minute
- Impedance: $32\Omega \pm 15\%$ at 2000KHz
- Resonant Frequency (Fo): $920\text{Hz} \pm 20\%$ at FO, 1V
- Frequency Range: Fo - 20KHz
- Sensitivity (S.P.L.): $72\text{dB (W/m)} \pm 3\text{dB}$
 $88\text{dB (0.5W/0.1m)} \pm 3\text{dB}$

Materials:

- Magnet: Nd-Fe-B

Note:

- RoHS Compliant