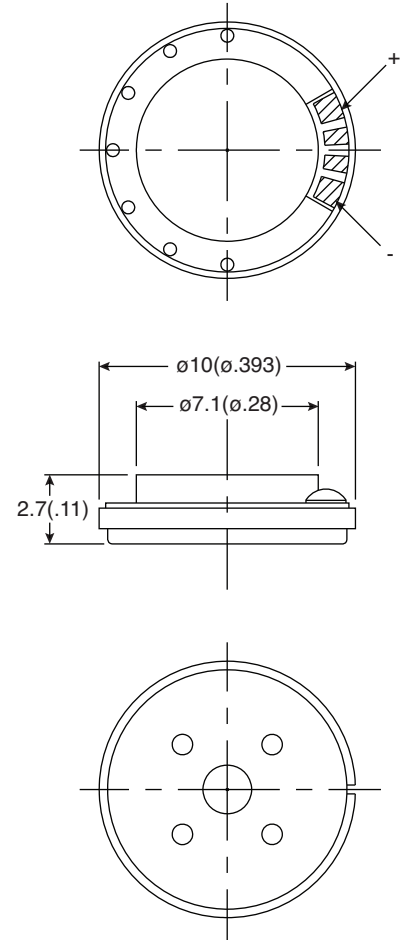
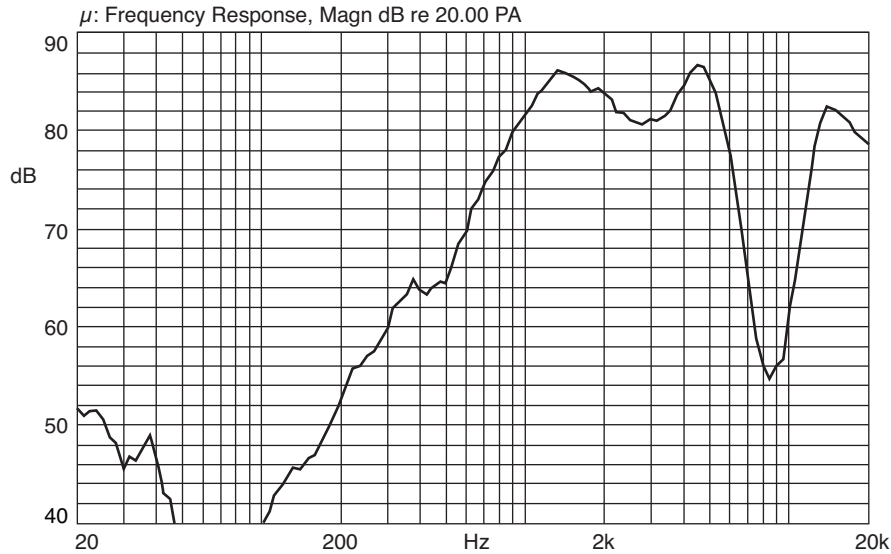


Part Number:

254-DS108-RO

Frequency Response Curve



Dynamic Speaker

KT-400533

Electrical Specifications:

- Rated Input Power: 0.15W
- Max. Input Power: Must be normal at 0.3W White Noise for 1 minute
- Impedance: $8\Omega \pm 15\%$ at 3KHz
- Resonant Frequency (Fo): $1200\text{Hz} \pm 20\%$ at FO, 1V
- Frequency Range: Fo - 6KHz
- Sensitivity (S.P.L.): $72\text{dB (W/m)} \pm 3\text{dB}$
 $83\text{dB (0.15W/0.1m)} \pm 3\text{dB}$

Materials:

- Magnet: Nd-Fe-B

Note:

- RoHS Compliant

Mechanical Specifications:

- Operating Temperature: -20°C to $+60^\circ\text{C}$
- Storage Temperature: -30°C to $+70^\circ\text{C}$