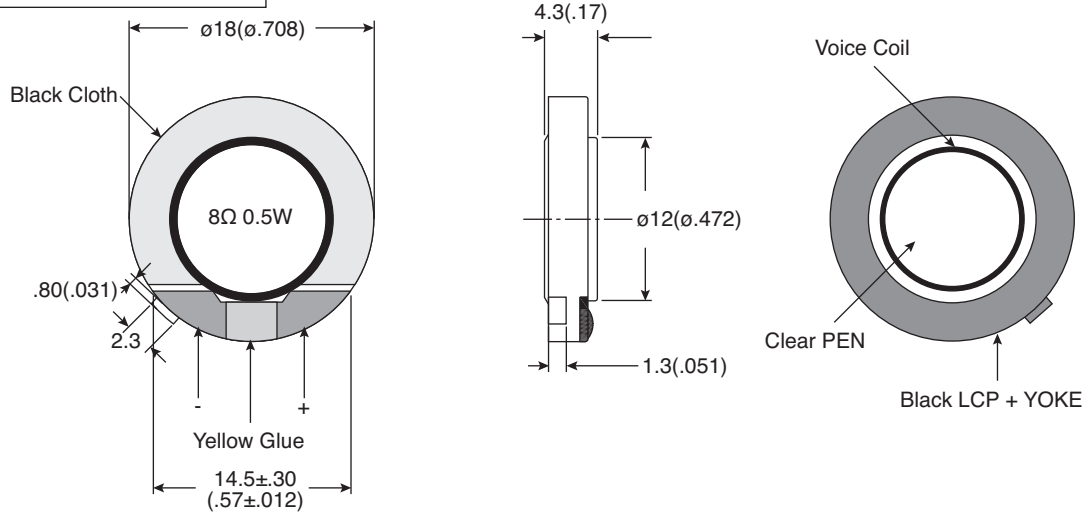
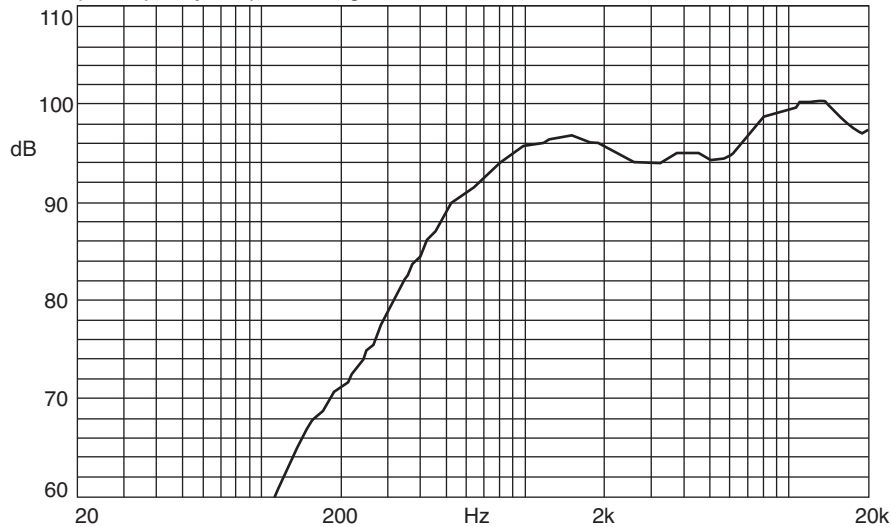


**Part Number:**

254-DS1808-RO



$\mu$ : Frequency Response, Magn dB re 20.00 PA



Dynamic Speaker

KT-400537

**Electrical Specifications:**

- Rated Input Power: 0.5W
- Max. Input Power: 1.0W for 1 minute
- Impedance:  $8\Omega \pm 15\%$  at 1KHz
- Resonant Frequency (Fo):  $850\text{Hz} \pm 20\%$  at FO, 1V
- Frequency Range: Fo - 20KHz
- Sensitivity (S.P.L.):  $90\text{dB} (0.1W/0.1m) \pm 3\text{dB}$   
 $95\text{dB} (0.5W/0.1m) \pm 3\text{dB}$

**Mechanical Specifications:**

- Operating Temperature:  $-40^\circ\text{C}$  to  $+85^\circ\text{C}$
- Storage Temperature:  $-40^\circ\text{C}$  to  $+85^\circ\text{C}$

**Materials:**

- Magnet: Nd-Fe-B

**Note:**

- RoHS Compliant

**Soldering Specifications:**

- Recommend using constant branding iron in 30W, and in temperature range  $360 \pm 5^\circ\text{C}$ . Soldering time 2 seconds.