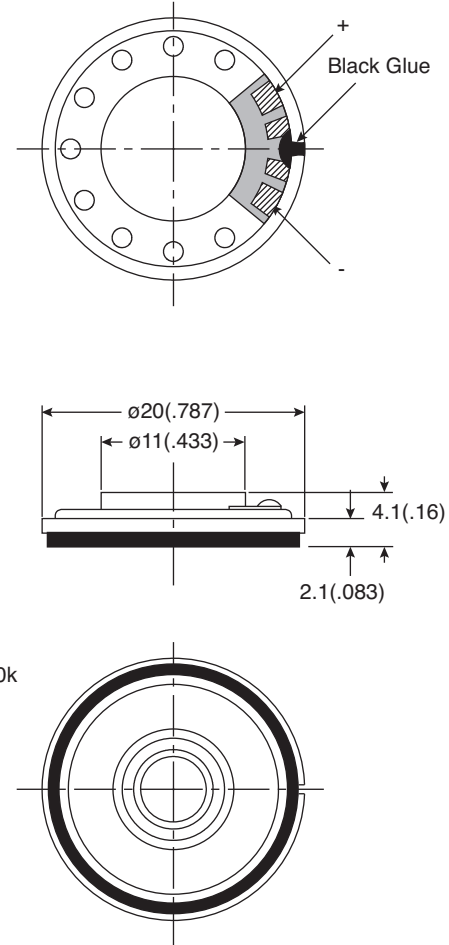
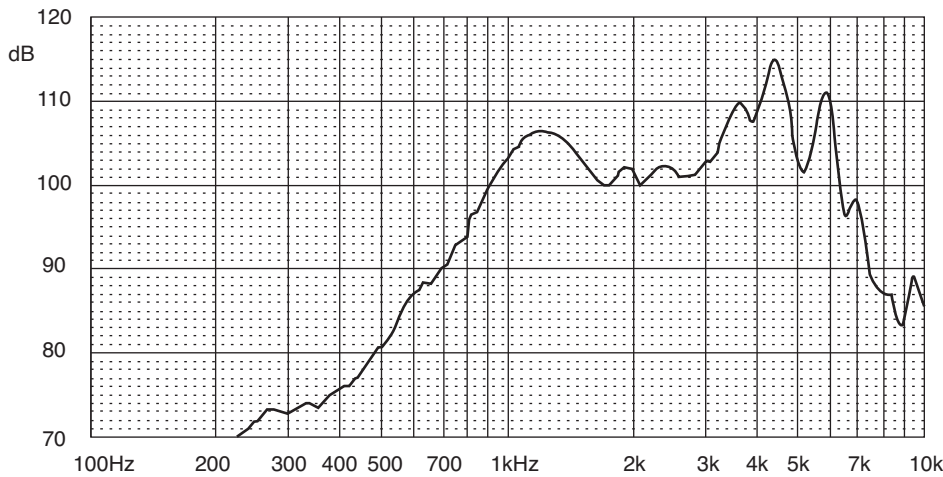


Part Number:

254-DS202-RO

Frequency Response Curve



Dynamic Speaker

KT-400539

Electrical Specifications:

- Rated Input Power: 0.5W
- Max. Input Power: 0.8W
- Impedance: $32\Omega \pm 15\%$ at 2KHz
- Resonant Frequency (Fo): $870\text{Hz} \pm 20\%$ at FO, 1V
- Frequency Range: Fo - 7.5KHz
- Sensitivity (S.P.L.): $92\text{dB} (0.1\text{W}/0.1\text{m}) \pm 3\text{dB}$
 $98\text{dB} (0.25\text{W}/0.1\text{m}) \pm 3\text{dB}$

Materials:

- Case: Fe alloy
- Gasket: Black paper
- Diaphragm: Black mylar
- Magnet: Ferrite

Note:

- RoHS Compliant

Mechanical Specifications:

- Operating Temperature: -20°C to $+60^\circ\text{C}$
- Storage Temperature: -30°C to $+70^\circ\text{C}$