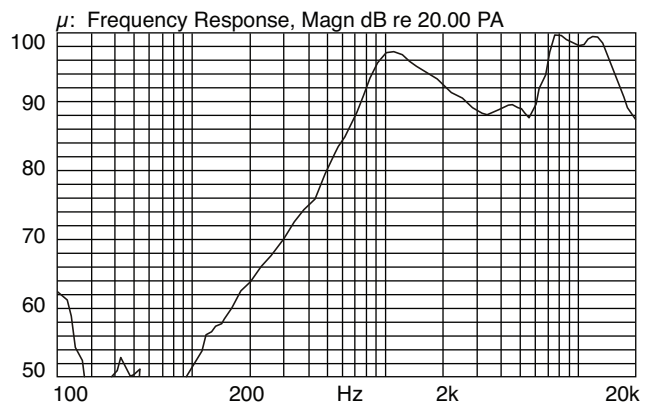
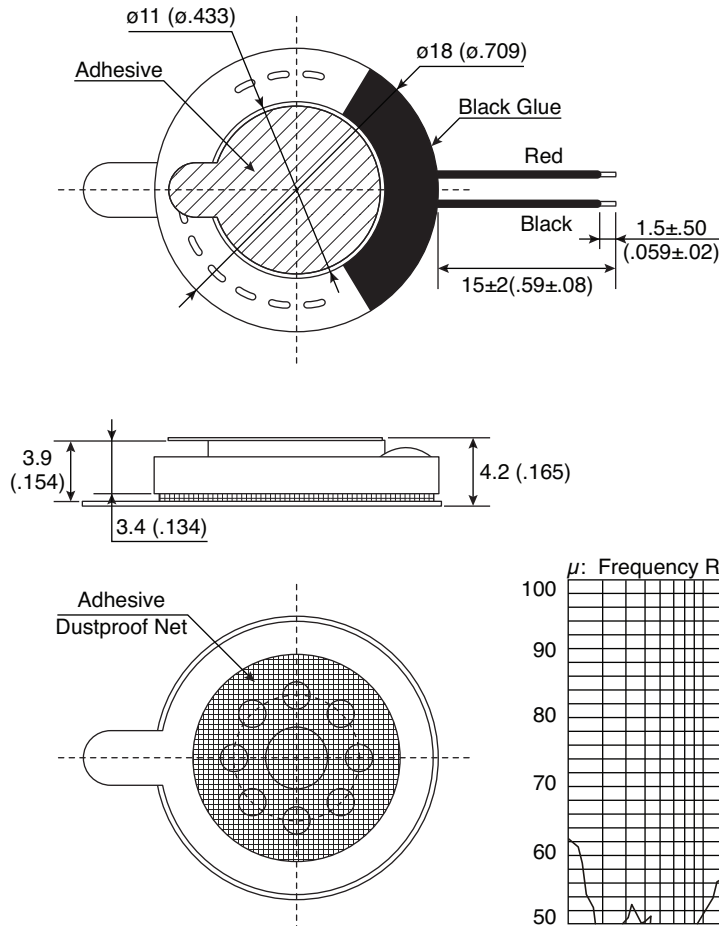


Part Number:

254-DS188-RO



Dynamic Speaker

KT-400351

Electrical Specifications:

- Rated Input Power: 0.8W (Long Time)
- Max. Input Power: 1.0W (Short Time)
- Impedance: $8\Omega \pm 15\%$ at 1500 Hz
- Resonant Frequency (Fo): 1000 Hz $\pm 20\%$ at FO, 1V
- Frequency Range: Fo - 20KHz

Mechanical Specifications:

- Operating Temperature: -20°C to $+60^{\circ}\text{C}$
- Storage Temperature: -30°C to $+70^{\circ}\text{C}$

Materials:

- Case: PBT
- Diaphragm: Mylar
- Magnet: NdFeB

Note:

- RoHS Compliant