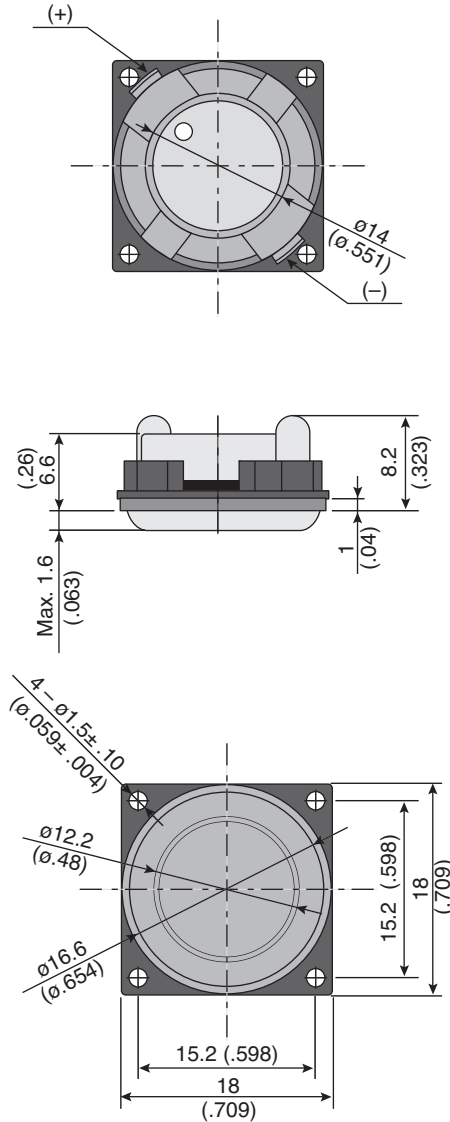


Part Number:

254-DS1818-RO

Dynamic Speaker



KT-400341

Electrical Specifications:

- Rated Input Power: 1.5 W
- Max. Input Power: 2.0 W
- Impedance: $8\Omega \pm 15\%$ at 2KHz
- Resonant Frequency (Fo): $550\text{Hz} \pm 20\%$ at Fo, 1V
- Frequency Range: Fo – 20KHz

Materials:

- Magnet: Ferrite

Mechanical Specifications:

- Operating Temperature: -20°C to $+60^{\circ}\text{C}$
- Storage Temperature: -30°C to $+70^{\circ}\text{C}$

Note:

- RoHS Compliant