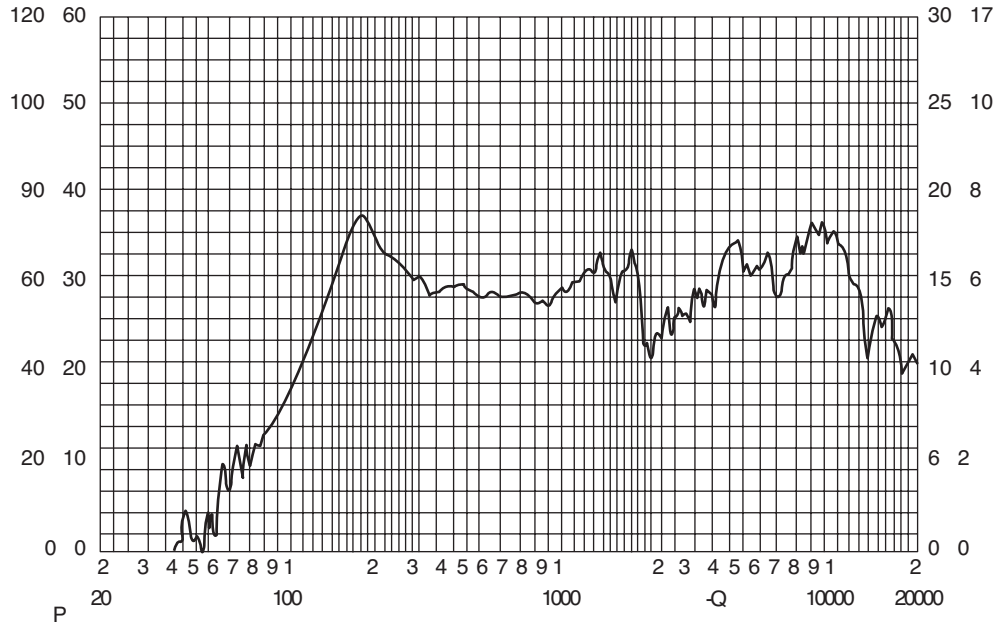
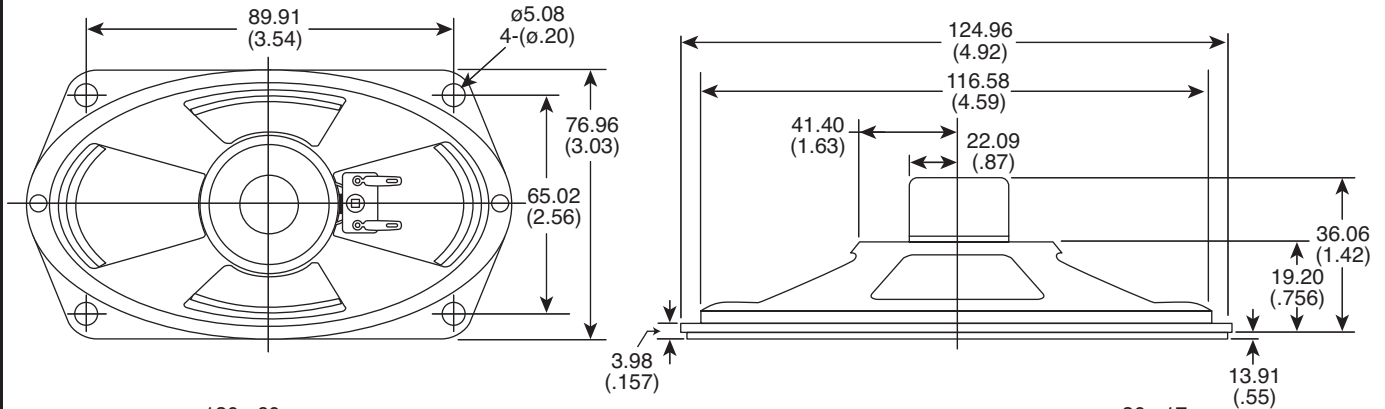


Part Number:

25SP101



Speaker

KT-400054

Electrical Specifications:

- Impedance: $8\Omega \pm 15\%$
- Resonant frequency: $170\text{Hz} \pm 15\%$
- Frequency response: 170Hz - 20KHz
- Rated power: 0.1W
- Distortion: 10% max. @ 600Hz, 0.1W
- Peak power: 2.0W

Material:

- Magnet: Alnico