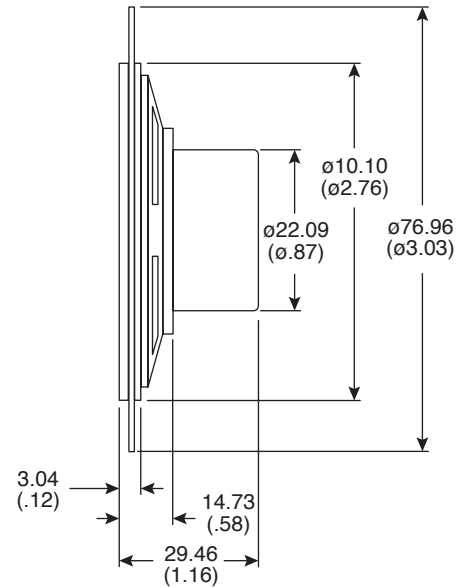
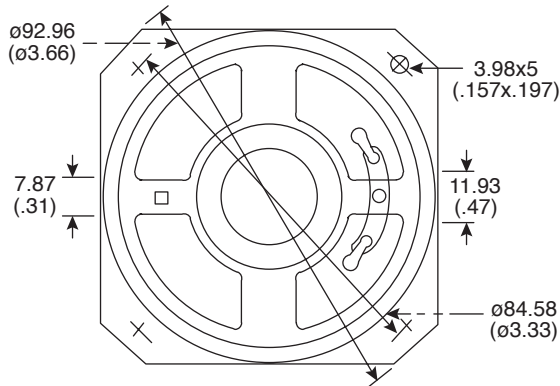
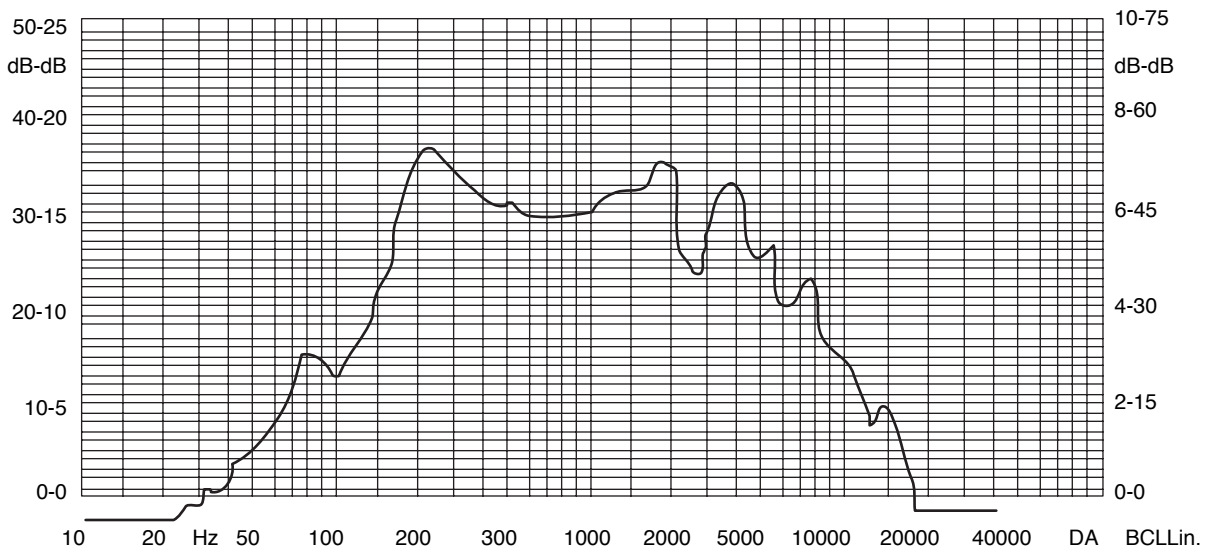


Part Number:

25SP030



Speaker



Electrical Specifications:

- Voice coil impedance: $8\Omega \pm 15\%$ @ 800Hz, 1V
- Resonant frequency: 250Hz \pm 45Hz, without baffle
- Output SPL: 95 \pm 2dB
- Frequency response: 250 ~ 5KHz
- Rated power input: 0.3W
- Max. power input: 0.5W
- Distortion: 5% max., @ rated power input 800Hz
- Peak power: 0.8W

Materials:

- Magnet: Alnico; weight .4 oz.
- Total weight: 2.08oz

KT-400051