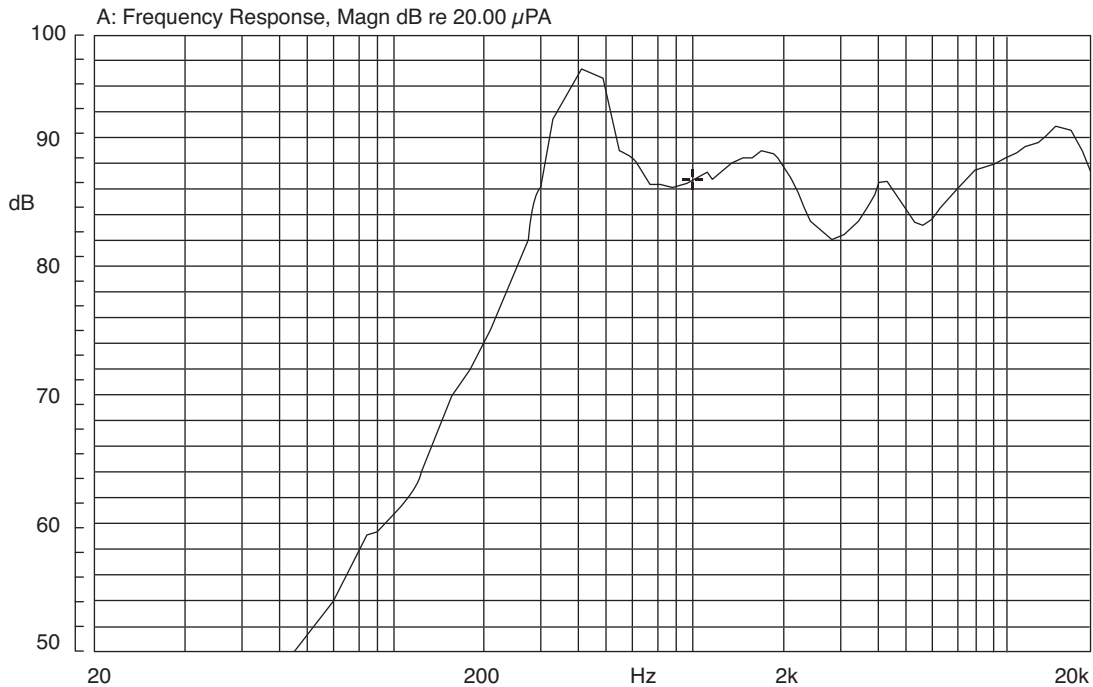
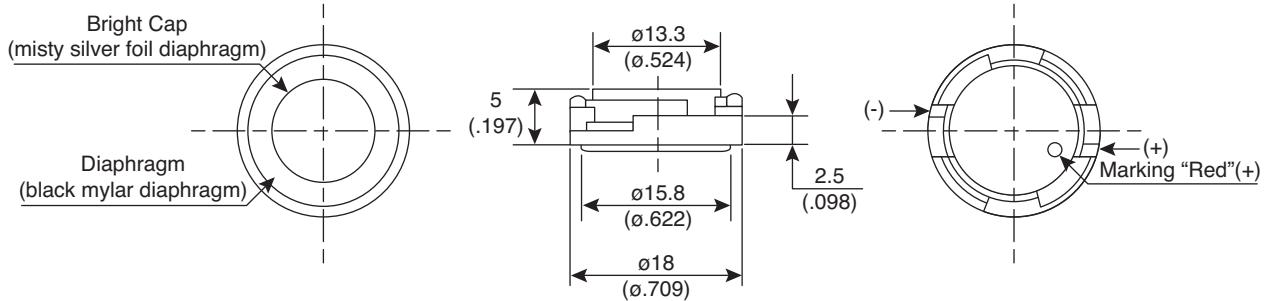


Part Number:

254-DS1882-RO



Dynamic Speaker

KT-400432

Electrical Specifications:

- Rated Input Power: 0.8 W
- Max. Input Power: 1.0 W for 1 minute
- Impedance: $8\Omega \pm 15\%$ at 2KHz
- Resonant Frequency (Fo): $600\text{Hz} \pm 20\%$ at Fo, 1V
- Sensitivity (SPL): $80\text{dB}(0.1\text{W}/0.1\text{m}) \pm 3\text{dB}$
 $85\text{dB}(0.8\text{W}/0.1\text{m}) \pm 3\text{dB}$
- Frequency Range: Fo - 20K Hz

Material:

- Magnet: Nd-Fe-B

Mechanical Specifications:

- Operating Temperature: $-20^\circ\text{C} \sim +60^\circ\text{C}$
- Storage Temperature: $-30^\circ\text{C} \sim +70^\circ\text{C}$

Note:

- RoHS Compliant