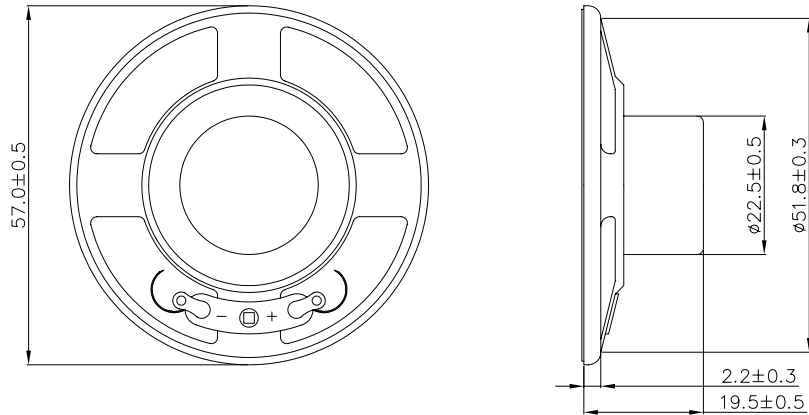


THIS DOCUMENT CONTAINS DATA PROPRIETARY TO PROJECTS UNLIMITED, INC. ANY USE OR REPRODUCTION, IN ANY FORM, WITHOUT PRIOR WRITTEN PERMISSION OF PROJECTS UNLIMITED, INC. IS PROHIBITED.  
© 2003, Projects Unlimited Inc.

SPECIFICATIONS

PARAMETERS	VALUES	UNITS
RATED INPUT POWER	0.25	W
MAX INPUT POWER	0.5	W
IMPEDANCE	4±15%	OHM
OUTPUT SPL @ 1W/0.5M (AT 0.8, 1.0, 1.2, 1.5 kHz)	91±3	dB
DISTORTION	7%	-
RESONANT FREQUENCY	450±20%	Hz
FREQUENCY RANGE	450 ~ 4,000	Hz
HOUSING MATERIAL	METAL	-
CONE MATERIAL	PAPER	-
MAGNET MATERIAL	Nd-Fe-B	-
OPERATING TEMPERATURE	-20 ~ +60	°C
WEIGHT	30	grams


REVISIONS			
LTR	DESCRIPTION	DATE	APPROVED
-	RELEASED FROM ENGINEERING	1/22/04	
A	REVISED DIMENSIONS	1/25/05	R. W.



NOTES:

1. ALL DIMENSIONS ARE IN MILLIMETERS.
2. SPECIFICATION SUBJECT TO CHANGE OR WITHDRAWAL WITHOUT NOTICE.

FILE NAME  
AS05704PR.DWG

UNLESS OTHERWISE SPECIFIED: DIMENSIONS ARE IN MILLIMETERS, TOLERANCES ARE ±0.5 AND ANGLES ARE ±3°.		 projects® unlimited Dayton, Ohio							
<table border="1"> <thead> <tr> <th>APPROVALS</th> <th>DATE</th> </tr> </thead> <tbody> <tr> <td>DRAWN R.A.C.</td> <td>1/05</td> </tr> <tr> <td>APPROVED R.W.</td> <td>1/05</td> </tr> </tbody> </table>		APPROVALS	DATE	DRAWN R.A.C.	1/05	APPROVED R.W.	1/05	DYNAMIC SPEAKER AS05704PR	
APPROVALS	DATE								
DRAWN R.A.C.	1/05								
APPROVED R.W.	1/05								
<table border="1"> <thead> <tr> <th>APPROVALS</th> <th>DATE</th> </tr> </thead> <tbody> <tr> <td>DRAWN R.A.C.</td> <td>1/05</td> </tr> <tr> <td>APPROVED R.W.</td> <td>1/05</td> </tr> </tbody> </table>		APPROVALS	DATE	DRAWN R.A.C.	1/05	APPROVED R.W.	1/05	SIZE A	DRAWING NO. AS05704PR
APPROVALS	DATE								
DRAWN R.A.C.	1/05								
APPROVED R.W.	1/05								
DO NOT SCALE DRAWING		SCALE: N.T.S.	SHEET 1 OF 1						