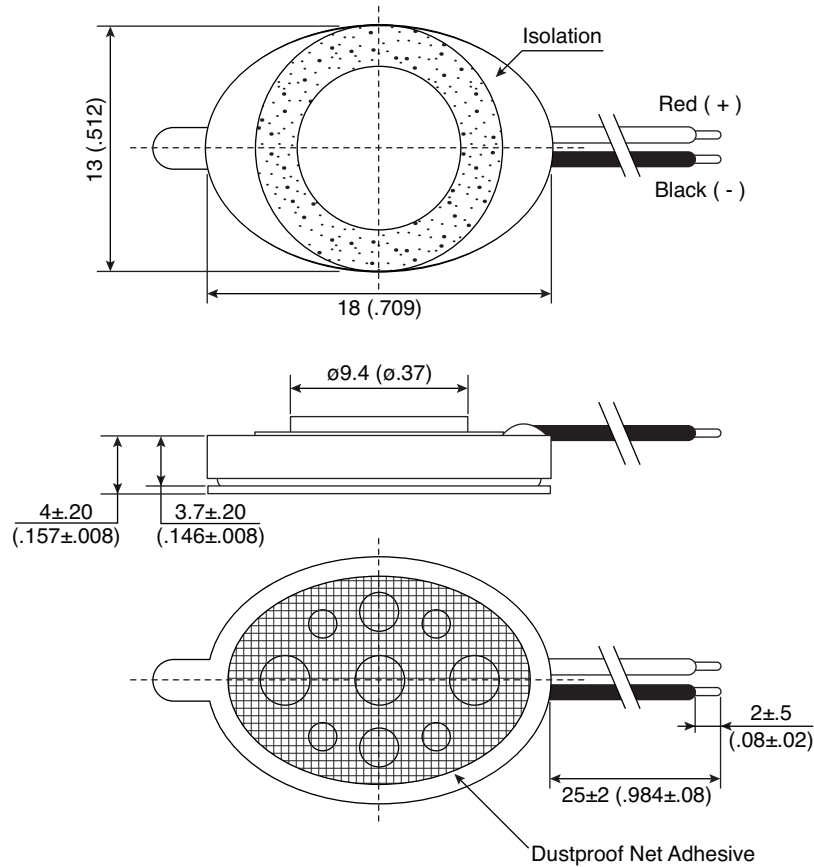


**Part Number:**

254-DS1813-RO

Dynamic Speaker



KT-400350

**Electrical Specifications:**

- Rated Input Power: 1.0W (Long Time)
- Max. Input Power: 1.2W (Short Time)
- Impedance: 8Ω ± 15% at 1500Hz
- Resonant Frequency (Fo): 1200Hz ± 20% at Fo, 1V
- Frequency Range: Fo - 20KHz

**Materials:**

- Magnet: NdFeB

**Note:**

- RoHS Compliant

**Mechanical Specifications:**

- Operating Temperature: -20°C to + 60°C
- Storage Temperature: -30°C to +70°C