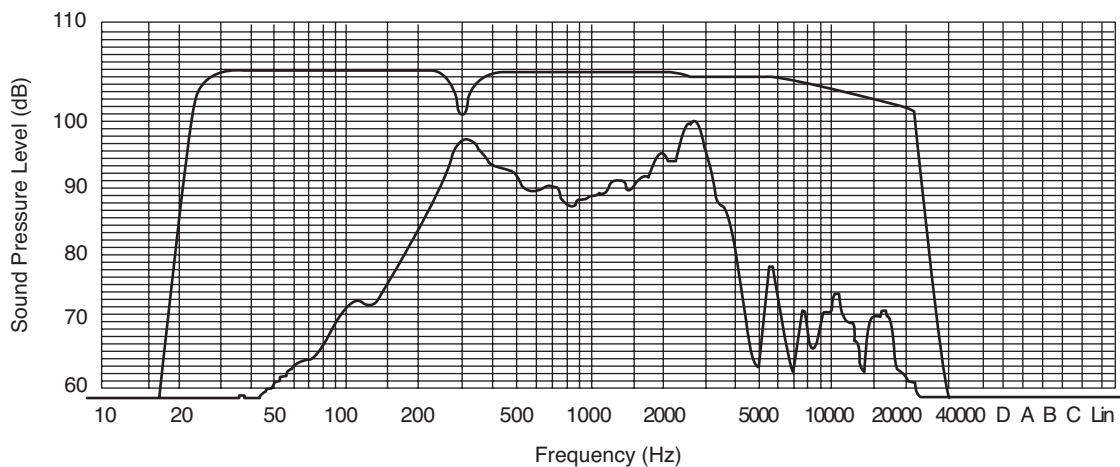
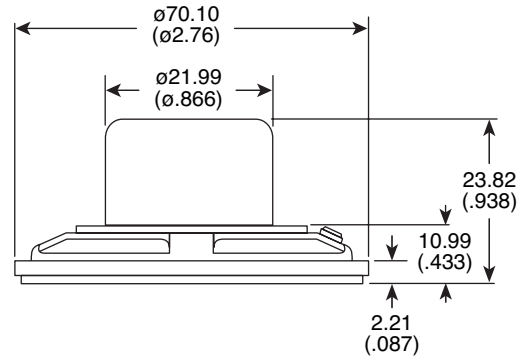
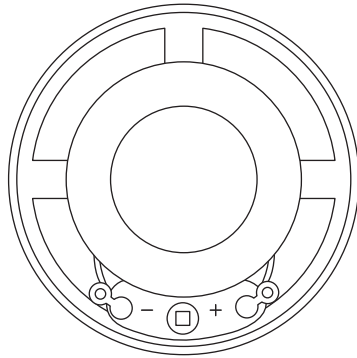


Part Number:

25SP027

**Speaker**

KT-400047

**Electrical Specifications:**

- Impedance:  $8\Omega \pm 15\%$
- Rated power: .5w
- Maximum power: 0.7w
- Resonant frequency:  $300\text{Hz} \pm 15\%$
- Frequency response: 300Hz - 3.5KHz
- Distortion: 10% max. 600Hz, 0.5w

**Material:**

- Magnet: Alnico