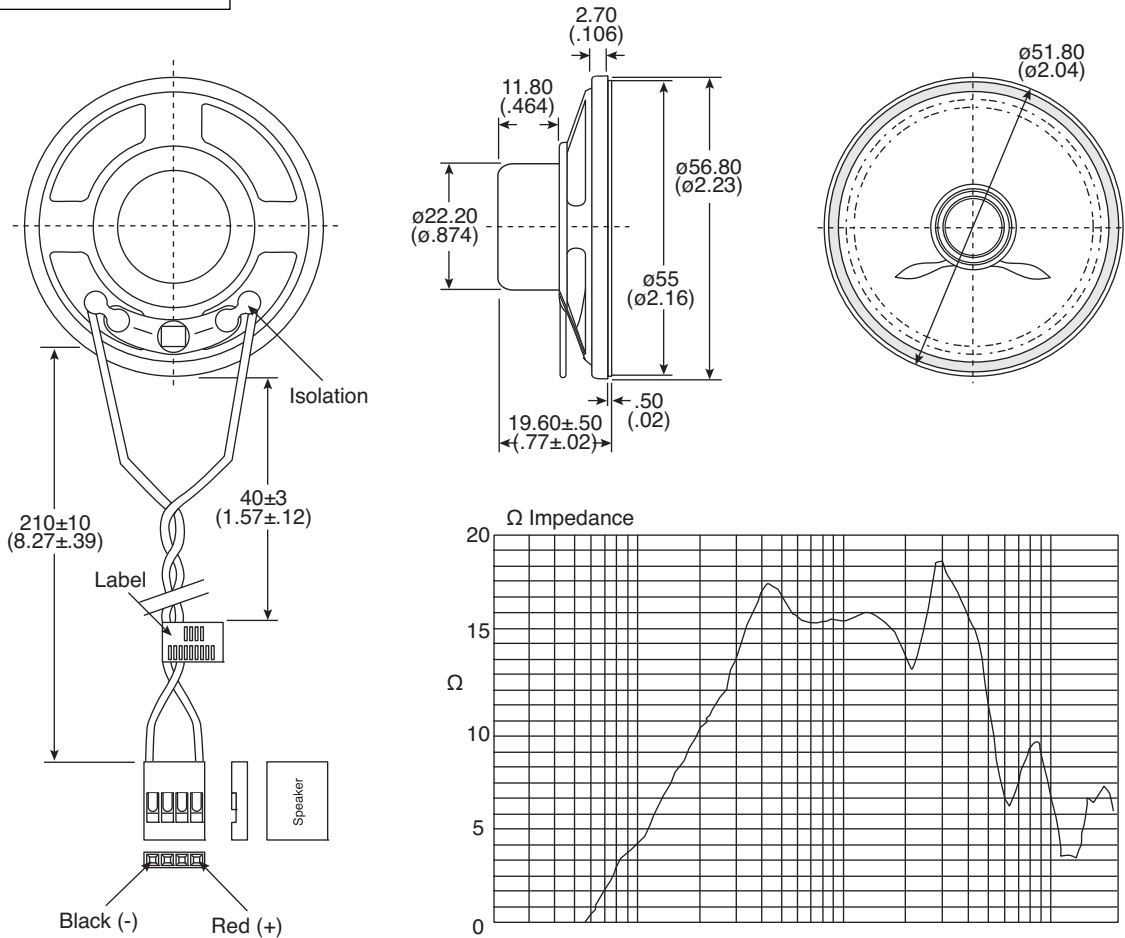


Part Number:

254-DS578-RO

Dynamic Speaker



KT-400358

Electrical Specifications:

- Rated Input Power: .25W
- Impedance: $8\Omega \pm 15\%$ at 1KHz
- Resonant Frequency (Fo): 330 Hz $\pm 20\%$ at Fo, 1V
- Frequency Range: Fo-4KHz
- Max Input Power: 0.5W for 1 minute

Material:

- Magnet: NdFeB

Note:

- RoHS Compliant