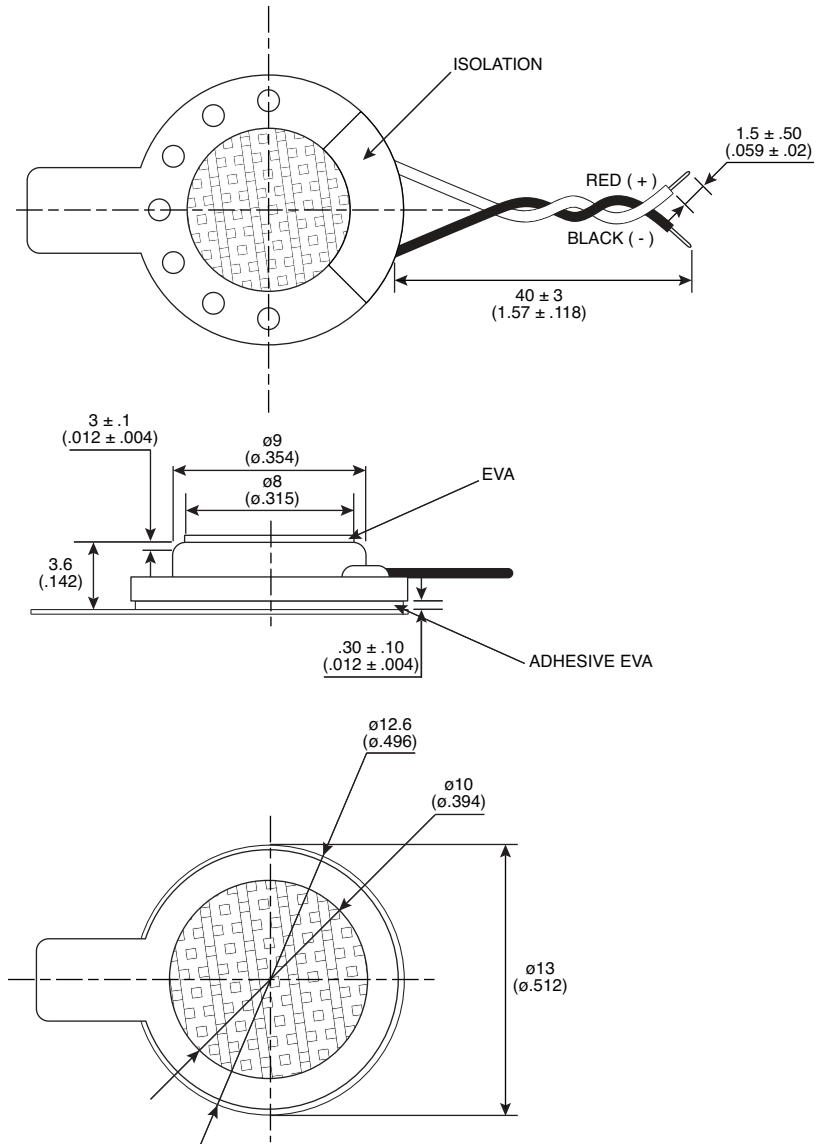


Part Number:

254-DR132-RO

Dynamic Receiver



KT-400319

Electrical Specifications:

- Impedance: $32\Omega \pm 15\%$
- Nominal Input Power: 10mW
- Max Input Power: 26mW for 1 minute
- Sensitivity: 115dB

Materials:

- Wire: UL1571 AWG32
- Housing: Metal
- Diaphragm: PEI

Note:

- RoHS Compliant