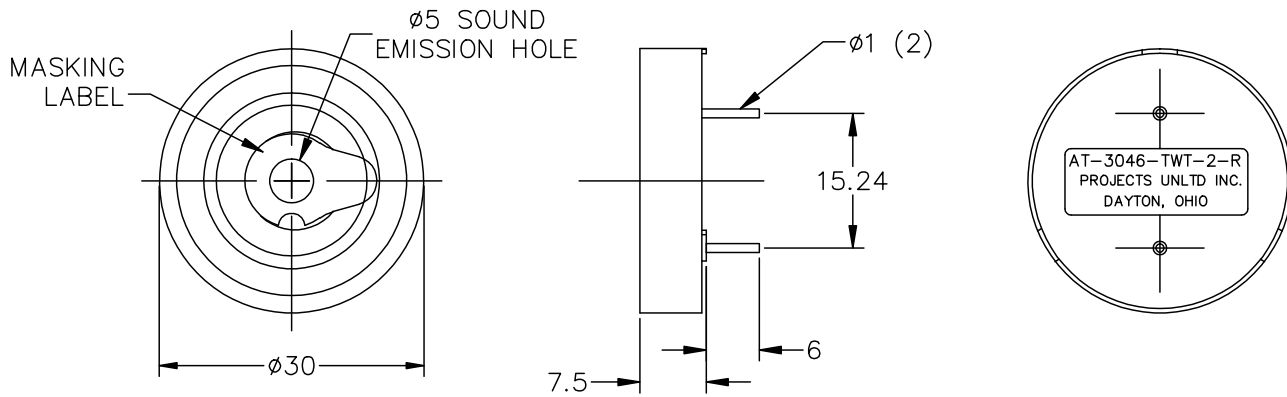


THIS DOCUMENT CONTAINS DATA PROPRIETARY TO PROJECTS UNLIMITED, INC. ANY USE OR REPRODUCTION, IN ANY FORM, WITHOUT PRIOR WRITTEN PERMISSION OF PROJECTS UNLIMITED, INC. IS PROHIBITED.
© 2005, Projects Unlimited Inc.

SPECIFICATIONS

| PARAMETERS | VALUES | UNITS |
|-------------------------|----------------------|------------------|
| RATED VOLTAGE | 10 | V _{p-p} |
| OPERATING VOLTAGE RANGE | 1 ~ 30 | V _{p-p} |
| RATED CURRENT (MAX) | 10 | mA |
| CAPACITANCE | 16,000±30% | pF |
| MINIMUM SPL @ 10 CM | 85 | dB(A) |
| RESONANT FREQUENCY | 4,600±500 | Hz |
| OPERATING TEMPERATURE | -20 ~ +60 | °C |
| STORAGE TEMPERATURE | -30 ~ +70 | °C |
| HOUSING MATERIAL | ABS | - |
| TERMINAL MATERIAL | Sn PLATED RED COPPER | - |
| WEIGHT | 2 | grams |

| REVISIONS | | | |
|-----------|------------------------------|---------|----------|
| LTR | DESCRIPTION | DATE | APPROVED |
| - | RELEASED FROM ENGINEERING | 4/4/07 | |
| A | REVISED PART NUMBER ON LABEL | 4/25/07 | B.R. |



NOTES:

1. ALL DIMENSIONS ARE IN MILLIMETERS.
2. SPECIFICATION SUBJECT TO CHANGE OR WITHDRAWAL WITHOUT NOTICE.
3. THIS PART IS RoHS 2002/ 95/EC COMPLIANT.

FILE NAME
AT-3046-TWT-2-R.DWG

| UNLESS OTHERWISE SPECIFIED: DIMENSIONS ARE IN MILLIMETERS, TOLERANCES ARE ± 0.5 AND ANGLES ARE 2.5° . | | projects® unlimited Dayton, Ohio | | | | | | | | | |
|---|------|----------------------------------|--------------------------------|------------|------|--------------|------|---------------|------|--------------------|--|
| <table border="1"> <thead> <tr> <th>APPROVALS</th> <th>DATE</th> </tr> </thead> <tbody> <tr> <td>DRAWN J.D.</td> <td>4/07</td> </tr> <tr> <td>CHECKED D.F.</td> <td>4/07</td> </tr> <tr> <td>APPROVED R.W.</td> <td>4/07</td> </tr> </tbody> </table> | | APPROVALS | DATE | DRAWN J.D. | 4/07 | CHECKED D.F. | 4/07 | APPROVED R.W. | 4/07 | TRANSDUCER (PIEZO) | |
| APPROVALS | DATE | | | | | | | | | | |
| DRAWN J.D. | 4/07 | | | | | | | | | | |
| CHECKED D.F. | 4/07 | | | | | | | | | | |
| APPROVED R.W. | 4/07 | | | | | | | | | | |
| DO NOT SCALE DRAWING | | SIZE A | DRAWING NO. AT-3046-TWT-2-R | | | | | | | | |
| | | SCALE: N.T.S. | SHEET 1 OF 1 | | | | | | | | |