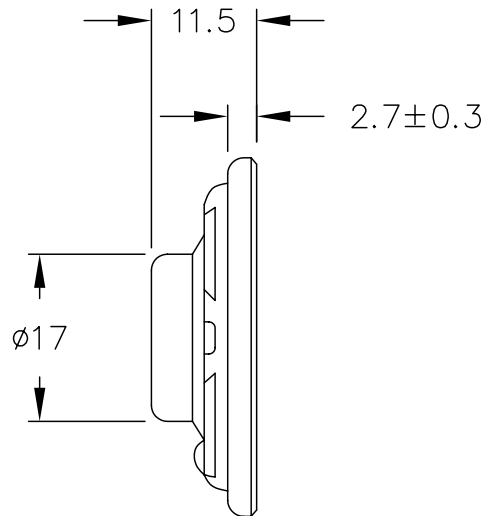
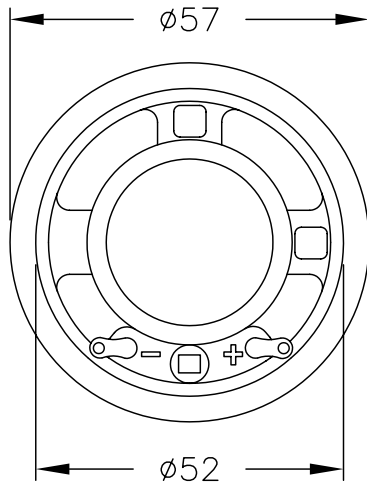


THIS DOCUMENT CONTAINS DATA PROPRIETARY TO PROJECTS UNLIMITED, INC. ANY USE OR REPRODUCTION, IN ANY FORM, WITHOUT PRIOR WRITTEN PERMISSION OF PROJECTS UNLIMITED, INC. IS PROHIBITED.
© 2005, Projects Unlimited Inc.

SPECIFICATIONS

PARAMETERS	VALUES	UNITS
RATED INPUT POWER	0.3	W
MAX INPUT POWER	0.6	W
IMPEDANCE	8±15	OHM
OUTPUT SPL @ 1W/0.5M (AT 0.8, 1.0, 1.2, 1.5 kHz)	86±2	dBA
DISTORTION (MAX.)	5%	-
RESONANT FREQUENCY	450±20%	Hz
FREQUENCY RANGE	450 ~ 7000	Hz
HOUSING MATERIAL	METAL	-
CONE MATERIAL	MYLAR	-
MAGNET MATERIAL	NdFeB	-
OPERATING TEMPERATURE	-20 ~ +50	°C
WEIGHT	15	grams




NOTES:

1. ALL DIMENSIONS ARE IN MILLIMETERS.
2. SPECIFICATION SUBJECT TO CHANGE OR WITHDRAWAL WITHOUT NOTICE.
3. THIS PART IS RoHS 2002/95/EC COMPLIANT.

FILE NAME
AS05708MR-2-R.DWG

REVISIONS			
LTR	DESCRIPTION	DATE	APPROVED
-	RELEASED FROM ENGINEERING	6/2/06	

UNLESS OTHERWISE SPECIFIED: DIMENSIONS ARE IN MILLIMETERS. TOLERANCES ARE ±0.5 AND ANGLES ARE ±3°.		 projects® unlimited Dayton, Ohio									
<table border="1"> <thead> <tr> <th>APPROVALS</th> <th>DATE</th> </tr> </thead> <tbody> <tr> <td>DRAWN <i>J.D.</i></td> <td>5/06</td> </tr> <tr> <td>CHECKED <i>E.P.</i></td> <td>5/06</td> </tr> <tr> <td>APPROVED <i>B.R.</i></td> <td>5/06</td> </tr> </tbody> </table>		APPROVALS	DATE	DRAWN <i>J.D.</i>	5/06	CHECKED <i>E.P.</i>	5/06	APPROVED <i>B.R.</i>	5/06	SPEAKER	
APPROVALS	DATE										
DRAWN <i>J.D.</i>	5/06										
CHECKED <i>E.P.</i>	5/06										
APPROVED <i>B.R.</i>	5/06										
SIZE A	DRAWING NO. AS05708MR-2-R										
DO NOT SCALE DRAWING		SCALE: N.T.S.	SHEET 1 OF 1								