


ME 35 UT/FE BUS/5 GN

Order No.: 2706771

<http://eshop.phoenixcontact.de/phoenix/treeViewClick.do?UID=2706771>

Lower part of housing, fully assembled, with integrated bus connector (parallel), 5-pos.

Commercial data	
GTIN (EAN)	 4 017918 839895
Note	Made-to-order
sales group	F050
Pack	10 pcs.
Customs tariff	85369010
Catalog page information	Page 605 (CC-2011)

Product notes

WEEE/RoHS-compliant since:
04/01/2005



<http://www.download.phoenixcontact.com>
Please note that the data given here has been taken from the online catalog. For comprehensive information and data, please refer to the user documentation. The General Terms and Conditions of Use apply to Internet downloads.

Certificates / Approvals

Certification

CUL, UL

Accessories

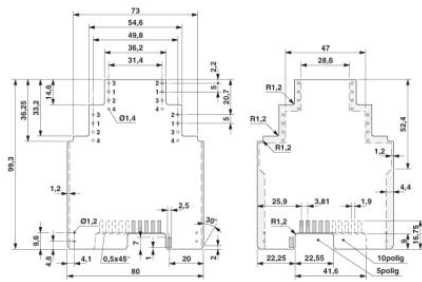
Item	Designation	Description
Assembly		
1909223	FKCT 2,5/ 3-ST	Plug component, Nominal current: 12 A, Rated voltage (III/2): 320 V, Number of positions: 3, Pitch: 5 mm, Connection method: Spring-cage conn., Color: green
2906885	ME B-17,5 MKDSO GN	Filler plugs, for unoccupied terminal points
2906869	ME B-17,5 MSTBO GN	Filler plugs, for unoccupied terminal points
2854173	ME B-KA	Terminal cover, 1 strip covers up to 12 terminal points, for ME-BUS terminal opening, (male side)
2935959	ME B-SA/NS 35	Terminal cover, 1 strip covers up to 12 terminal points, for ME-BUS male side, (female side)
2908760	ME DH27 NS 35	Spacers, for protection of the input or output contacts for DIN rail NS 35, width [B] 27 mm
2909895	ME DH36 NS 35	Spacers, for protection of the input or output contacts for DIN rail NS 35, width [B] 36 mm
2853899	ME-SAS	Shield connection clamp for printed circuit terminal block
1707221	MKDSO 2,5/ 3-L	PC terminal block, Nominal current: 24 A, Nom. voltage: 400 V, Pitch: 5 mm, Number of positions: 3, Connection method: Screw connection, Mounting: Soldering, Conductor/PCB connection direction: 0 °, Color: green, Article with lateral pin exit
1707218	MKDSO 2,5/ 3-R	PC terminal block, Nominal current: 24 A, Nom. voltage: 400 V, Pitch: 5 mm, Number of positions: 3, Connection method: Screw connection, Mounting: Soldering, Conductor/PCB connection direction: 0 °, Color: green, Article with lateral pin exit
1861028	MSTBO 2,5/ 3-G1L	Header, Nominal current: 12 A, Rated voltage (III/2): 320 V, Number of positions: 3, Pitch: 5 mm, Color: green, Assembly: Soldering, Article with lateral pin exit
1861031	MSTBO 2,5/ 3-G1R	Header, Nominal current: 12 A, Rated voltage (III/2): 320 V, Number of positions: 3, Pitch: 5 mm, Color: green, Assembly: Soldering, Article with lateral pin exit
1779848	MSTBT 2,5/ 3-ST	Plug component, Nominal current: 12 A, Rated voltage (III/2): 320 V, Number of positions: 3, Pitch: 5 mm, Connection method: Screw connection, Color: green
Plug/Adapter		
1893203	MCVR 1,5/ 5-ST-3,81 AU	Plug component, Nominal current: 8 A, Rated voltage (III/2): 160 V, Number of positions: 5, Pitch: 3.81 mm, Connection method: Screw connection, Color: green
1893216	MCVR 1,5/10-ST-3,81 AU	Plug component, Nominal current: 8 A, Rated voltage (III/2): 160 V, Number of positions: 10, Pitch: 3.81 mm, Connection method: Screw connection, Color: green

Additional products

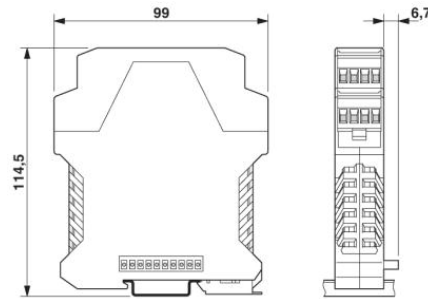
Item	Designation	Description
Assembly		
2906843	ME 17,5 OT-MKDSO GN	Housing upper part, for printed circuit terminal block connection
2907460	ME 17,5 OT-MKDSO SET	Housing upper part, complete with PCB termination blocks for full equipping. 12-pos., housing width: 17.5 mm
2906827	ME 17,5 OT-MSTBO GN	Upper part of housing, for COMBICON connection, double-level
2907431	ME 17,5 OT-MSTBO SET	Housing upper part, complete with COMBICON headers and screw connectors for full mounting of components. 12-pos., housing width: 17.5 mm

Diagrams/Drawings

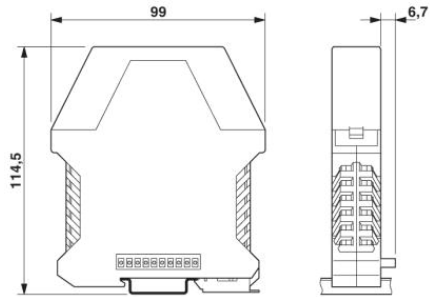
Dimensioned drawing



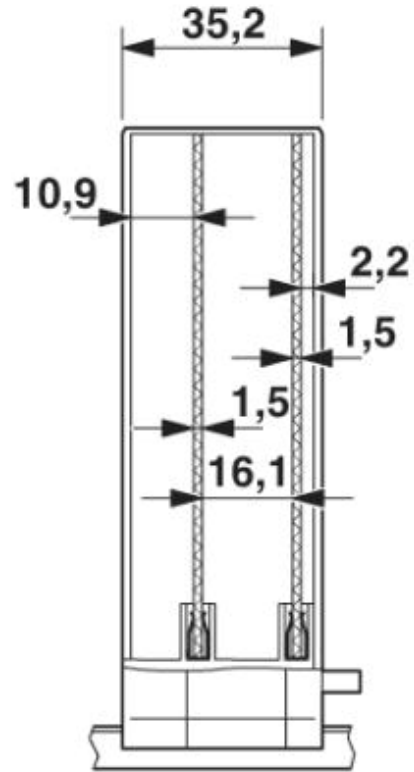
Dimensional drawing of the ME.../BUS5 and ME.../BUS10 printed circuit board if the double-level upper part is used



Dimensions of the electronics housing ME.../BUS 5 and ME.../BUS 10 with double-level upper part



Dimensions of the electronics housing
ME.../BUS 5 and ME.../BUS 10 with triple-
level upper part



Internal housing dimensions, electronics
housing ME 35 BUS...

Address

PHOENIX CONTACT Inc., USA
586 Fulling Mill Road
Middletown, PA 17057, USA
Phone (800) 888-7388
Fax (717) 944-1625
<http://www.phoenixcon.com>



© 2011 Phoenix Contact
Technical modifications reserved;