

# IB IL 24/230 DOR4/W-2MBD-PAC


## Discontinued item

Order No.: 2862039



<http://eshop.phoenixcontact.de/phoenix/treeViewClick.do?UID=2862039>

Inline digital output terminal block, complete with accessories (connector and labeling field), 4 relay PDT contacts, gold contacts, transmission speed 2 Mbaud, 5 - 253 V AC, 3 A

Commercial data	
GTIN (EAN)	 4 017918 974671
Note	Made-to-order
sales group	K411
Pack	1 pcs.
Customs tariff	85389091
Catalog page information	Page 279 (AX-2009)

### Product notes

WEEE/RoHS-compliant since:  
11/21/2007



<http://www.download.phoenixcontact.com>  
Please note that the data given here has been taken from the online catalog. For comprehensive information and data, please refer to the user documentation. The General Terms and Conditions of Use apply to Internet downloads.

### Product description

The digital output terminals are designed for the connection of digital actuators, such as electromagnetic valves, contactors or visual indicators.

All the typical applications are covered by the standard automation terminals.

The I/O equipment is connected by a simple or an extended Inline connector, depending on the number of channels. The multi-wire connection method is available in both cases.

The Inline relay terminal makes it possible to switch any I/O voltage up to a maximum of 230 V AC.

Therefore, a relay with a floating PDT contact is integrated in the terminal. Connection to the I/O devices is made with a simple Inline connector.

The Inline terminals can be labeled using hinged labeling fields. The fields have insert cards that can be labeled individually to suit the application. Additionally, there is the proven ZBFM-6... Zack strip for labeling the terminal points.

## Technical data

### General data

Width	48.8 mm
Height	119.8 mm
Depth	71.5 mm
Note on dimensions	Housing dimensions
Weight	138 g
Note on weight specifications	Without plug
Mounting type	DIN rail
Ambient temperature (operation)	-25 °C ... 55 °C
Ambient temperature (storage/transport)	-25 °C ... 85 °C
Permissible humidity (operation)	75 % ... 85 % (in the range of -25°C ... +55°C, appropriate measures against increased humidity (> 85%) must be taken.)
Permissible humidity (storage/transport)	75 % ... 85 % (slight temporary condensation may sometimes appear on the housing)
Air pressure (operation)	70 kPa ... 106 kPa (up to 3000 m above sea level)
Air pressure (storage/transport)	70 kPa ... 106 kPa (up to 3000 m above sea level)
Degree of protection	IP20
Protection class	I, IEC 61140, EN 61140, VDE 0140-1
Test section	Relay contact / Bus logics 4 kV 50 Hz 1 min
	Contact to contact 1 kV 50 Hz 1 min
	Contact / PE 1 kV 50 Hz 1 min

### Interface

Name	INTERBUS local bus
Connection method	Via data marshalling
Transmission speed	2 MBaud

### Power supply for module electronics

Communications power $U_L$	7.5 V (via voltage jumper)
Current consumption	max. 45 mA (from the local bus OFF)
Power consumption	max. 0.34 W (from the local bus OFF)

#### Inline potential routing

Communications power $U_L$	7.5 V DC
Current consumption from $U_L$	max. 35 mA
Segment supply voltage $U_S$	24 V DC (nominal value)

#### Digital outputs

Output name	Relay output
Connection method	Spring-cage connection
	Floating SPDT relay contact
Number of outputs	4
Protective circuit	Overload protection, short-circuit protection of outputs
Maximum output current per channel	3 A

#### Certificates / Approvals



Certification

CUL Listed, UL Listed

#### Accessories

Item	Designation	Description
<b>General</b>		
2742641	IB IL DOR LV-SET	Inline distance terminal, without accessories
2742641	IB IL DOR LV-SET	Inline distance terminal, without accessories
2861645	IB IL DOR LV-SET-PAC	Inline distance terminal, complete with accessories

#### Marking

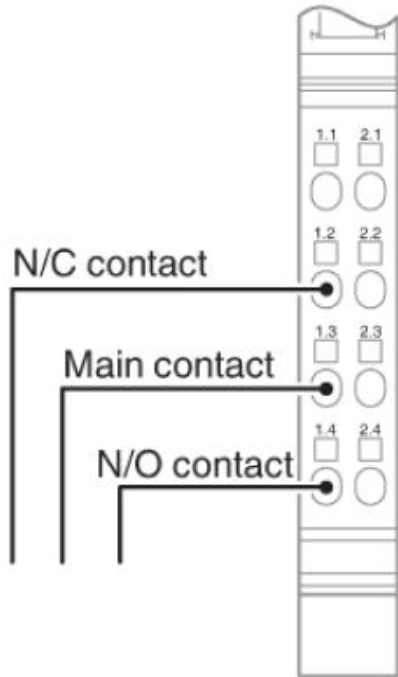
0809492	ESL 62X10	Insert strip for laser printer, lettering field: 62 x 10 mm
0809502	ESL 62X46	Insert strip for laser printer, lettering field: 62 x 46 mm
2727501	IB IL FIELD 2	Labeling field, width: 12.2 mm
2727515	IB IL FIELD 8	Labeling field, width: 48.8 mm

#### Plug/Adapter

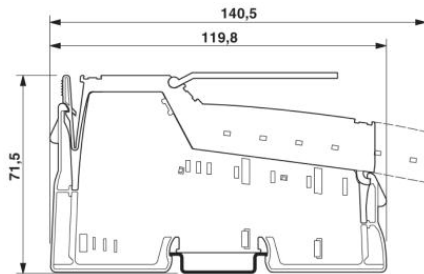
2742667	IB IL DOR LV-PLSET	Connector set for distance terminal
2740290	IB IL SCN-8-AC-REL	Plug, for digital 1, 2 or 8-channel Inline terminals with AC voltage

## Diagrams/Drawings

### Connection diagram



### Dimensioned drawing



**Address**

PHOENIX CONTACT Inc., USA  
586 Fulling Mill Road  
Middletown, PA 17057, USA  
Phone (800) 888-7388  
Fax (717) 944-1625  
<http://www.phoenixcon.com>



© 2011 Phoenix Contact  
Technical modifications reserved;