

R95-107



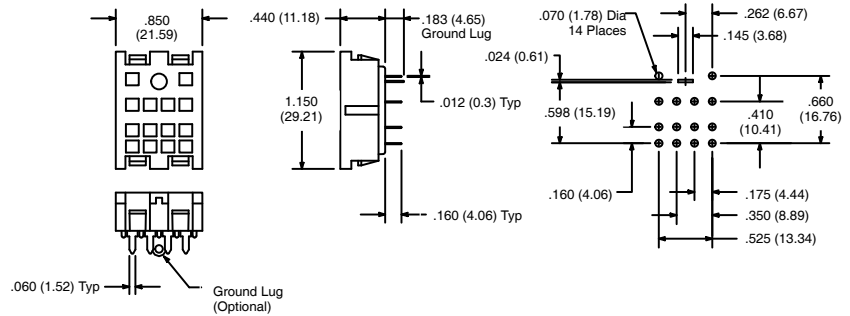
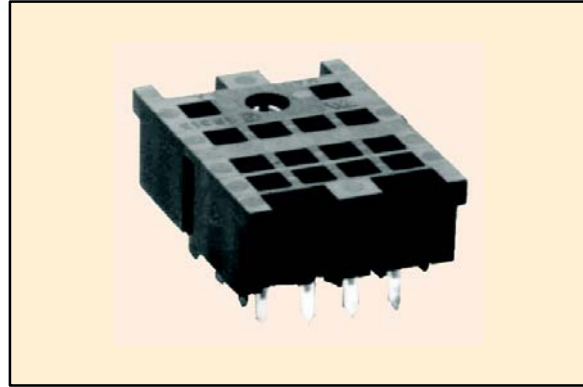
14-Pin Blade Socket

Features

- PC Board Mount
- Hold down clip supplied with socket, also available separately (R95-001)

Electrical Rating:

300 Volts, 10 Amps



R95-108

16-Pin Blade Socket

Features

- PC Board Mount

Electrical Rating:

1000 Volts, 10 Amps

